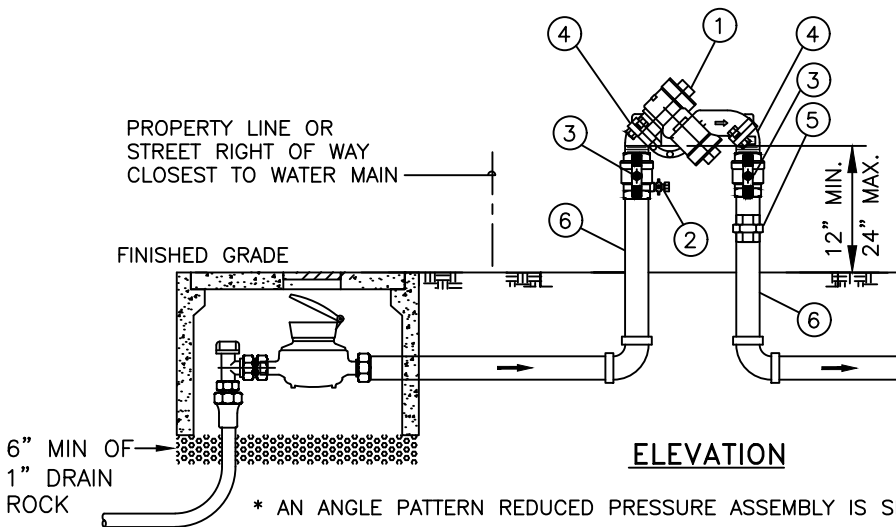


**PLAN**



**ELEVATION**

- ① APPROVED REDUCED PRESSURE BACKFLOW PREVENTER \*
- ② TEST COCK
- ③ GATE VALVE OR BALL VALVE
- ④ SOLDER OR THREADED BRASS 90° ELBOW (ON HORIZONTAL PATTERN ASSEMBLIES)
- ⑤ SOLDER OR THREADED BRASS UNION
- ⑥ TYPE "K" COPPER OR BRASS PIPE

\* AN ANGLE PATTERN REDUCED PRESSURE ASSEMBLY IS SHOWN FOR ILLUSTRATION PURPOSES

**NOTES:**

1. BACKFLOW PREVENTERS SHALL BE INSTALLED PER THE C.P.A. UTILITIES RULES & REGULATION AND THE CURRENT STATE OF CALIFORNIA OF PUBLIC HEALTH REGULATIONS CONTAINED IN TITLE 17 OF THE ADMINISTRATIVE CODE.
2. ALL DEVICES MUST BE LISTED AND APPROVED BY THE FOUNDATION FOR CROSS CONNECTION CONTROL AND HYDRAULIC RESEARCH AT USC AND WGW UTILITIES DEPARTMENT.
3. ALL DEVICES AND COMPONENTS MUST BE CERTIFIED LEAD FREE.
4. BACKFLOW DEVICE AND PIPING SIZE SHALL BE THE SAME SIZE AS THE WATER SERVICE SUPPLY PIPE. IT IS THE OWNER'S PLUMBER RESPONSIBILITY TO PROPERLY SIZE THE WATER SYSTEM AS THESE DEVICES REDUCE THE INLET WATER PRESSURE TO THE BUILDING.
5. THE DEVICE SHALL BE INSTALLED ON THE OWNER'S PROPERTY DIRECTLY BEHIND THE METER WITHIN 5' OF THE PROPERTY LINE OR STREET RIGHT OF WAY CLOSEST TO WATER MAIN.
6. THE DEVICE MUST BE INSPECTED BY BUILDING INSPECTION AND TESTED BY A LICENSED CERTIFIED TESTER REGISTERED WITH THE CITY. SUBMIT TEST RESULTS TO WGW UTILITIES OPERATIONS PROJECT COORDINATOR.
7. DEVICE SHALL BE TESTED IMMEDIATELY AFTER INSTALLATION, RELOCATION, OR REPAIR PRIOR TO BEING INTO SERVICE.
8. BACKFLOW MUST BE EASILY ACCESSIBLE TO FACILITATE ANNUAL TESTING AND MAINTENANCE.
9. PROVIDE 12" MINIMUM CLEARANCE TO OBSTRUCTIONS.

BY	DATE	<b>REDUCED PRESSURE PRINCIPLE ASSEMBLY - RPPA (3/4"-2") STANDARD DETAIL</b>	APPROVED: MAY 5, 2021	SCALE: NONE
DRAWN J.J.	7/16		<i>Silvia Lee Santos</i> SILVIA LEE SANTOS ENGINEERING MANAGER	DWG. NO. STD. WD-11C
CHECKED J.J.	02/20		50674 R.E. NO.	
REVIEWED R.I.	02/20	CITY OF PALO ALTO, CALIFORNIA	REVISION: MAY 5, 2021	APPENDIX B