

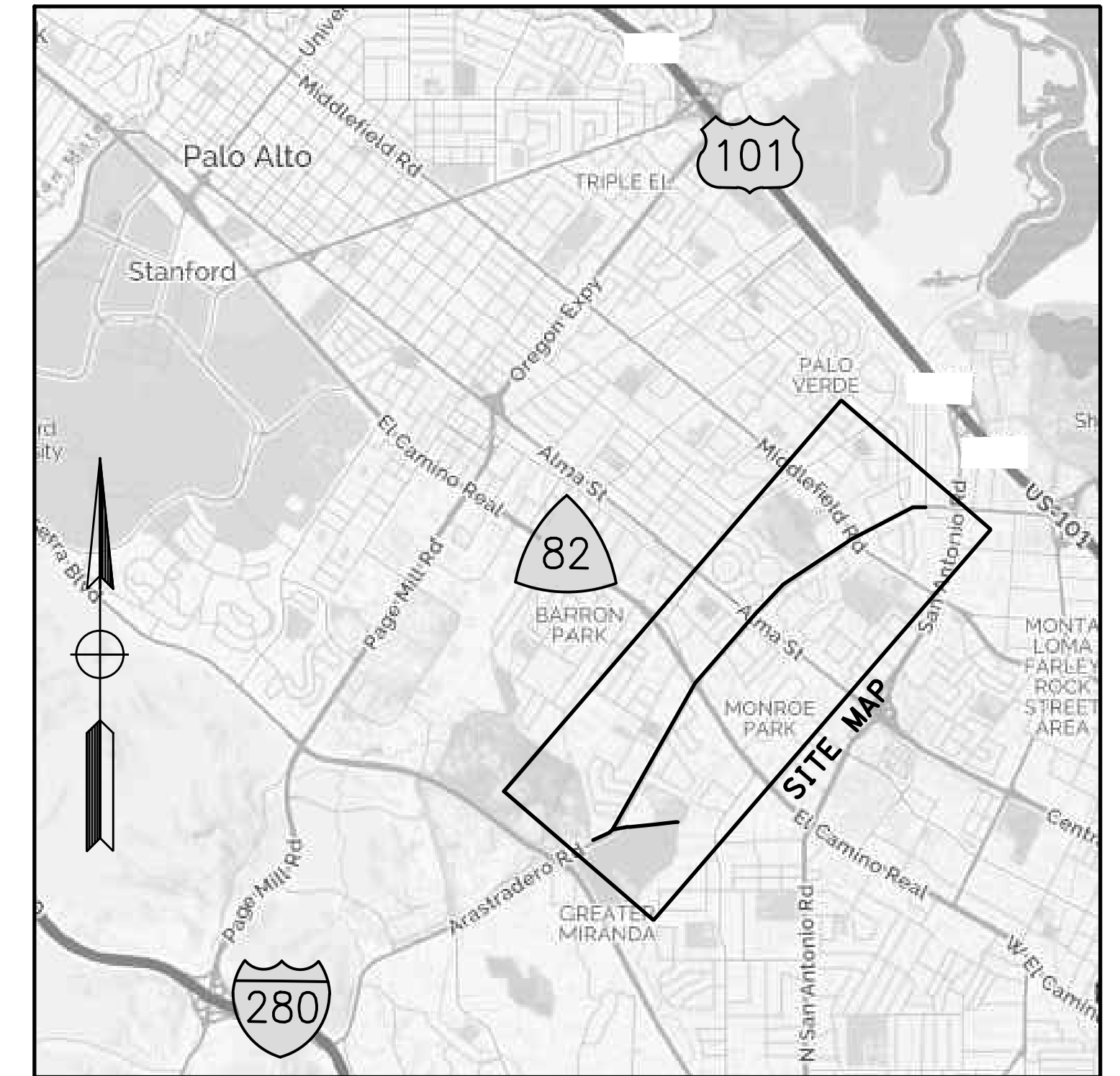
SHEET INDEX

SHEET NO	DESCRIPTION
1	TITLE SHEET
2-4	TYPICAL CROSS SECTIONS
5	KEY MAP
6	PROJECT CONTROL
7-33	LAYOUT
34-96	CONSTRUCTION DETAILS
97-102	DRAINAGE AND UTILITIES
103-111	PAVEMENT DELINEATION
112-118	SIGNS
119-141	TRAFFIC SIGNAL MODIFICATION PLAN
142-175	LANDSCAPE



CITY OF
**PALO
ALTO**

**CHARLESTON-ARASTRADERO CORRIDOR
COMPLETE STREETS AND GREEN
INFRASTRUCTURE PROJECT**



VICINITY MAP



SITE MAP

65% SUBMITTAL

CHARLESTON-ARASTRADERO CORRIDOR



**MARK
THOMAS**

2290 NORTH FIRST STREET, SUITE 304
SAN JOSE, CA 95131
(408) 453-5373

CITY OF PALO ALTO		CITY OF PALO ALTO DEPARTMENT OF PUBLIC WORKS	
APPROVED: _____	DATE: _____	APPROVED: _____	DATE: _____
CITY ENGINEER	RCE NO: _____	PUBLIC WORKS DIRECTOR	
	EXP DATE: _____		
FIRE DISTRICT		CITY OF PALO ALTO DEPARTMENT OF PUBLIC WORKS	
APPROVED: _____	DATE: _____	APPROVED: _____	DATE: _____
FIRE MARSHAL		PUBLIC WORKS MAINTENANCE SUPERINTENDENT	

NOTES:

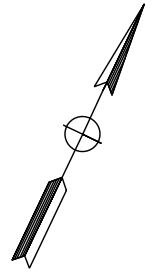
1. ALL MATERIALS SHALL FULLY CONFORM TO THE STATE STANDARD SPECIFICATIONS AND CITY SPECIFICATIONS AND DETAILS.
2. ALL MATERIALS AND METHODS ARE SUBJECT TO THE APPROVAL OF THE CITY OF PALO ALTO ENGINEER.
3. PUBLIC WORKS INSPECTION SHALL BE CALLED FOR ANY WORK 48 HOURS PRIOR TO THE START OF CONSTRUCTION.
4. THE CONTRACTOR SHALL NOTIFY UNDERGROUND SERVICE ALERT A MINIMUM OF 48 HOURS PRIOR TO THE START OF CONSTRUCTION.
5. THE CONTRACTOR SHALL REPAIR OR REPLACE ANY DAMAGED OR ALTERED EXISTING IMPROVEMENTS AS DIRECTED BY THE CITY INSPECTOR.
6. PROPOSED POLE LOCATIONS ARE SCHEMATIC IN NATURE. FINAL LOCATIONS SHALL BE DETERMINED BY THE ENGINEER IN THE FIELD.
7. CONTRACTOR TO MAINTAIN PEDESTRIAN AND DRIVEWAY ACCESS TO THE BUSINESSES.
8. TRENCHES SHALL NOT BE LEFT OPEN OVERNIGHT. CONTRACTOR TO PLATE OR BACKFILL TRENCHES AT END OF WORK DAY.
9. PROJECT SITE SHALL BE MAINTAINED IN A NEAT AND CLEAN CONDITION. FREE OF LOOSE SOIL, CONSTRUCTION DEBRIS AND TRASH. STREET SWEEPING SHALL BE USED ON A DAILY BASIS TO CONTROL SILT.
10. ALL STREET IMPROVEMENTS SHALL BE CONSTRUCTED IN ACCORDANCE WITH THE CURRENT CITY STANDARD AND SPECIFICATIONS AND STANARD PLANS. ALL PEDESTRIAN IMPROVEMENTS SHALL CONFORM WITH THE REQUIREMENTS OF TITLE 24 OF THE CALIFORNIA CODE OF REGULATIONS AND THE AMERICAN DISABILITIES ACT.
11. SHOULD IT APPEAR THAT THE WORK TO BE DONE, OR ANY MATTER RELATIVE THERETO, IS NOT SUFFICIENTLY DETAILED OR EXPLAINED ON THESE PLANS, THE CONTRACTOR SHALL CONTACT THE ENGINEER FOR SUCH FURTHER EXPLANATIONS AS MAY BE NECESSARY.
12. ALL TREES WITHIN PROJECT LIMITS IN CONFLICT WITH IMPROVEMENTS SHALL BE REMOVED. TREES NOT WITHIN PROJECT LIMIT SHALL REMAIN UNLESS OTHERWISE NOTED. ALL TRESS CONFLICTING WITH GRADING, UTILITIES, OR OTHER IMPROVEMENTS, OR OVERHANGING THE SIDEWALK OR PAVEMENT SO AS TO FORM A NUISANCE OR HAZARD, SHALL BE TRIMMED, PROPERLY TREATED AND SEALED.
13. CONTRACTOR SHALL PROVIDE ALL LIGHTS, SIGNS, BARRICADES, FLAGMEN AND OTHER DEVICES NECESSARY TO PROVIDE FOR PUBLIC SAFETY. SHOULD THE CONTRACTOR FAIL TO PROVIDE THE NECESSARY SAFETY DEVICES, AND THEY ARE PROVIDED BY THE CITY, THE CONTRACTOR SHALL PAY THE CITY TIME AND MATERIAL COSTS FOR PROVIDING.
14. THE CONTRACTOR IS RESPONSIBLE FOR ALL SURVEYING AND CONSTRUCTION STAKING NEEDED TO CONSTRUCT THE PROJECT.
15. LOCATION OF UTILITIES SHOWN ON THESE PLANS ARE APPROXIMATE AND SHALL BE VERIFIED BY THE CONTRACTOR PRIOR TO CONSTRUCTION.

ABBREVIATIONS:

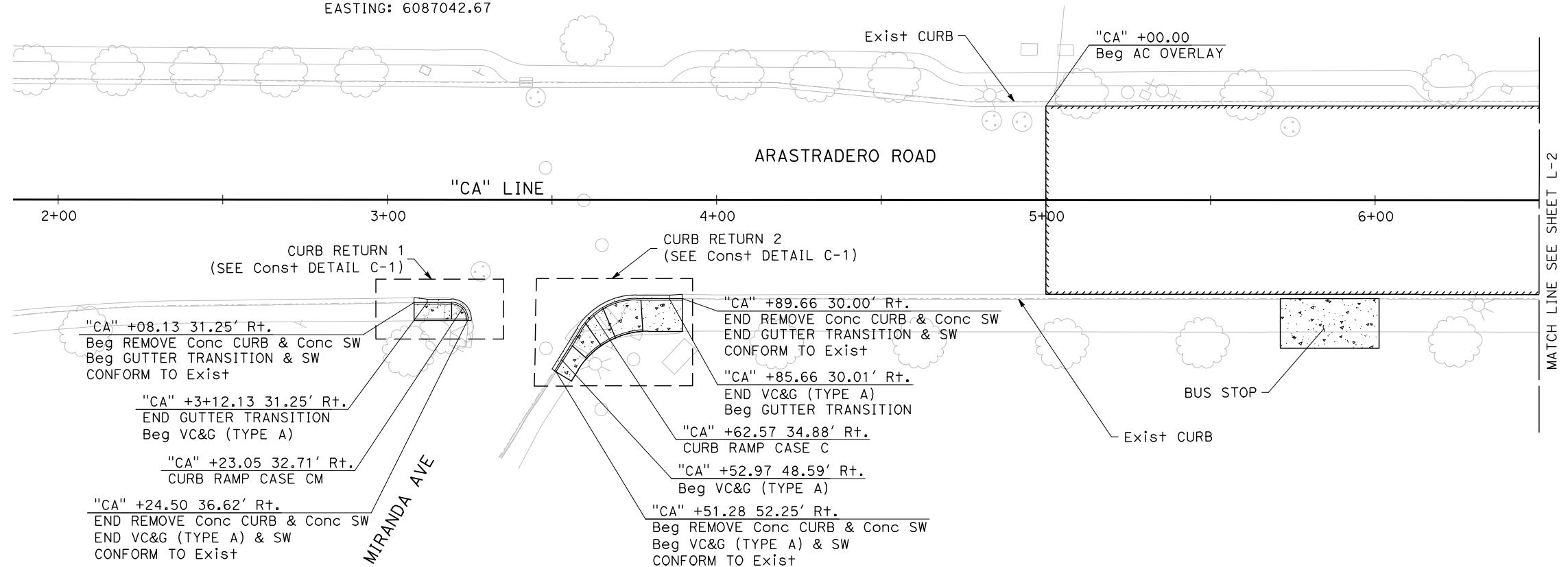
Com COMMERCIAL
 RC&G ROLLED CURB AND GUTTER
 SW SIDEWALK
 VC&G VERTICAL CURB AND GUTTER
 Beg BEGIN

LEGEND:

LANDSCAPE PLANTING
 BIORETENTION PLANTING
 CONCRETE
 S/C
 LIMIT OF HMA OVERLAY



POINT OF BEGINNING
 1+00
 NORTHING: 1971929.92
 EASTING: 6087042.67



DATE PLOTTED => 22-Mar-17 USERNAME => jiron
 TIME PLOTTED => 16:06 FILE => Chr-L1-11.dwg

0 10 20
 SCALE: 1"=20'

65% SUBMITTAL

REV	DATE	DESCRIPTION	BY



MARK THOMAS



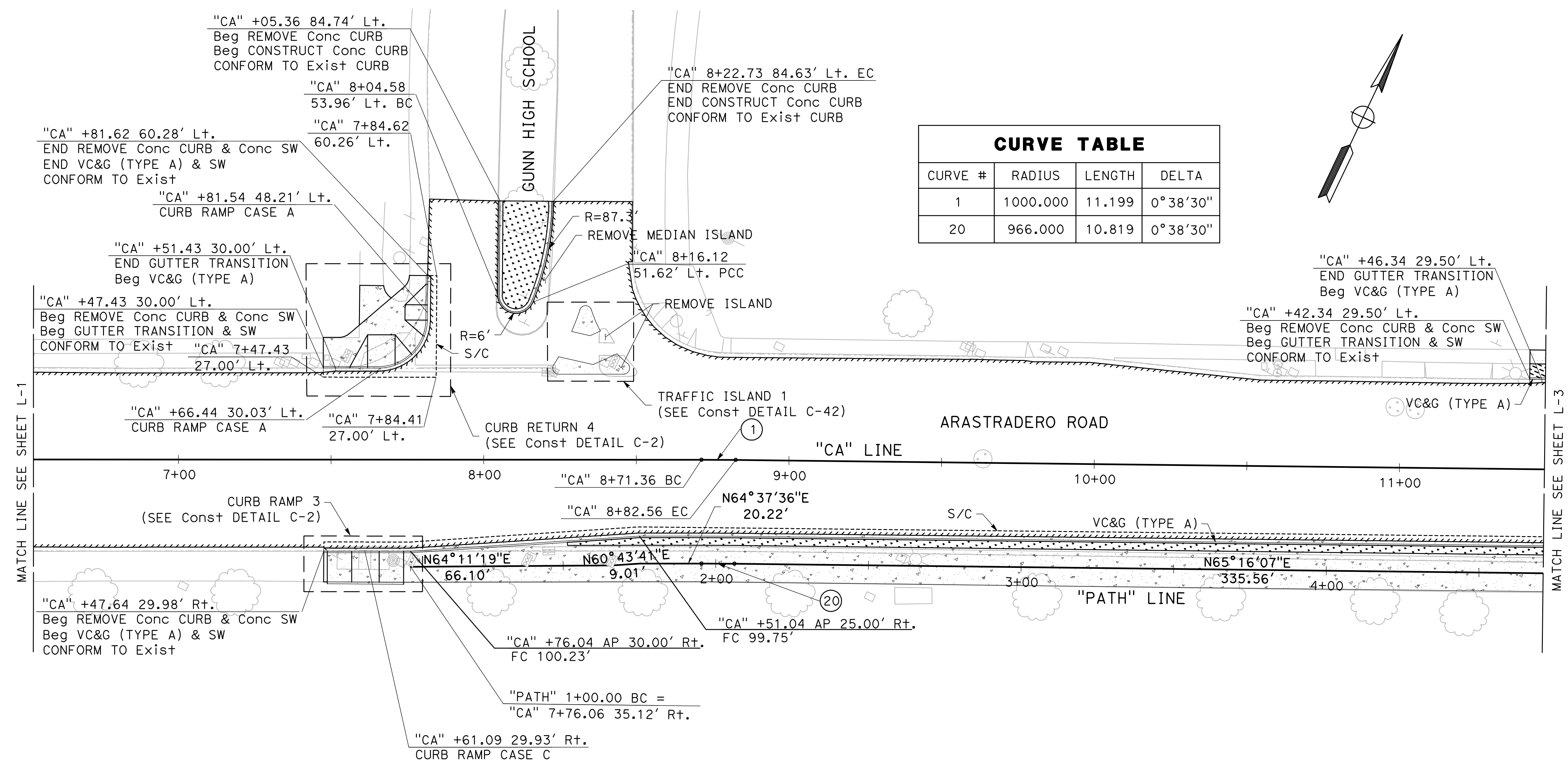
DATE: 3/24/2017
 SCALE: 1"=20'
 DESIGNED BY: J. STREEPER
 DRAWN BY: V. SWAMINATHAN

LAYOUT
CHARLESTON-ARASTRADERO CORRIDOR
CITY OF PALO ALTO, CALIFORNIA

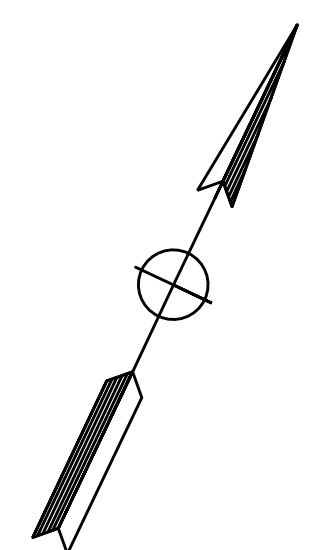
L-1

7 OF 175

DATE PLOTTED => 22-Mar-17 USERNAME => jtrn
 TIME PLOTTED => 16:06 FILE => Char-L1-11.dwg



CURVE TABLE			
CURVE #	RADIUS	LENGTH	DELTA
1	1000.000	11.199	0°38'30"
20	966.000	10.819	0°38'30"



0 10 20
 SCALE: 1"=20'

65% SUBMITTAL

REV	DATE	DESCRIPTION	BY



MARK THOMAS



DATE: 3/24/2017
 SCALE: 1"=20'
 DESIGNED BY: J. STREEPER
 DRAWN BY: V. SWAMINATHAN

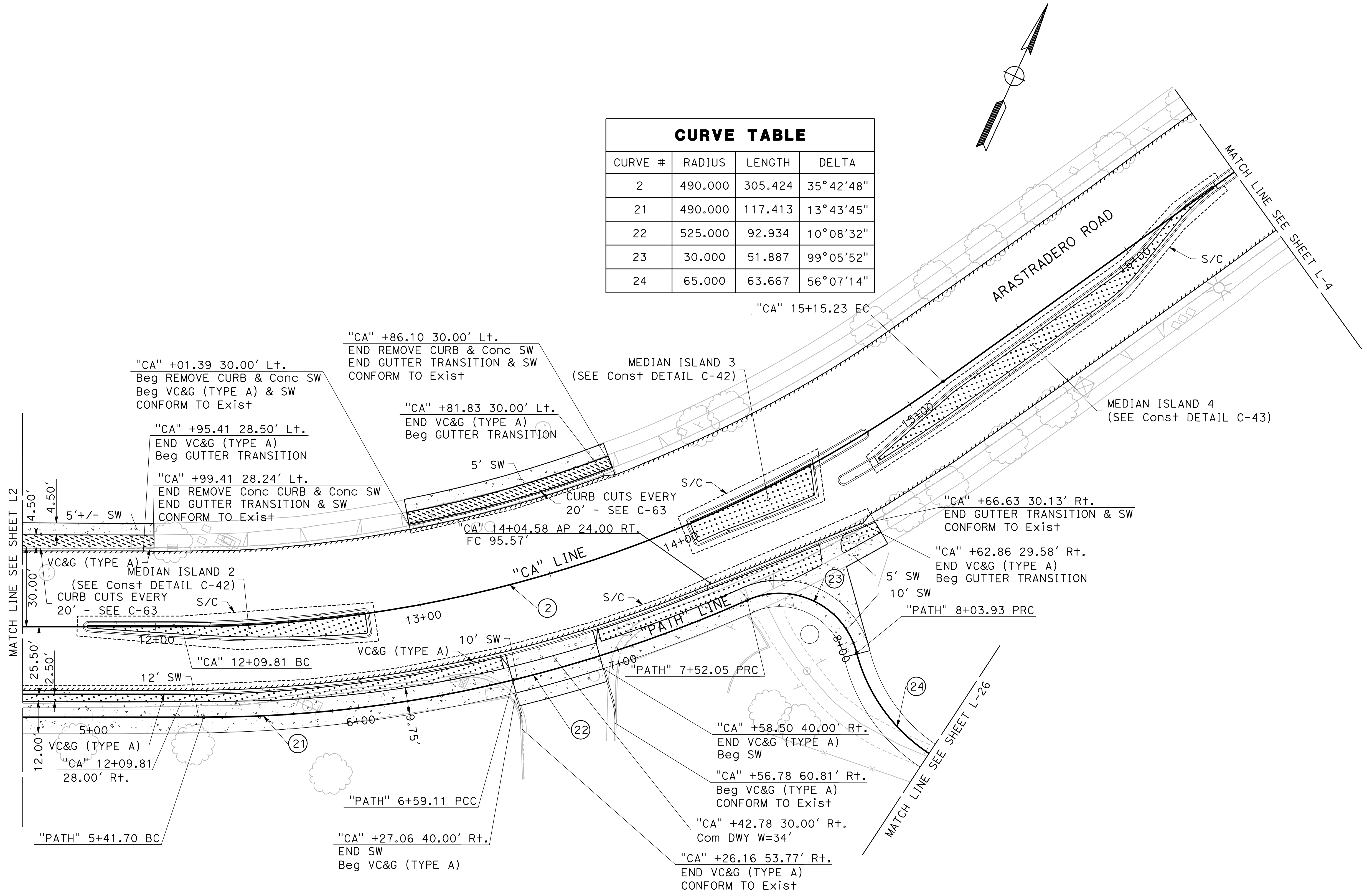
LAYOUT
 CHARLESTON-ARASTRADERO CORRIDOR
 CITY OF PALO ALTO, CALIFORNIA

L-2

8 OF 175

DATE PLOTTED => 22-Mar-17
 TIME PLOTTED => 16:06
 USERNAME => jiron
 FILE => Char-L1-11.dwg

CURVE TABLE			
CURVE #	RADIUS	LENGTH	DELTA
2	490.000	305.424	35°42'48"
21	490.000	117.413	13°43'45"
22	525.000	92.934	10°08'32"
23	30.000	51.887	99°05'52"
24	65.000	63.667	56°07'14"



ALTA MESA MEMORIAL PARK

0 10 20
 SCALE: 1"=20'

65% SUBMITTAL

REV	DATE	DESCRIPTION	BY



MARK THOMAS



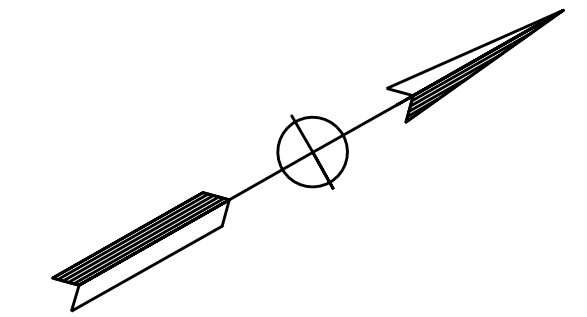
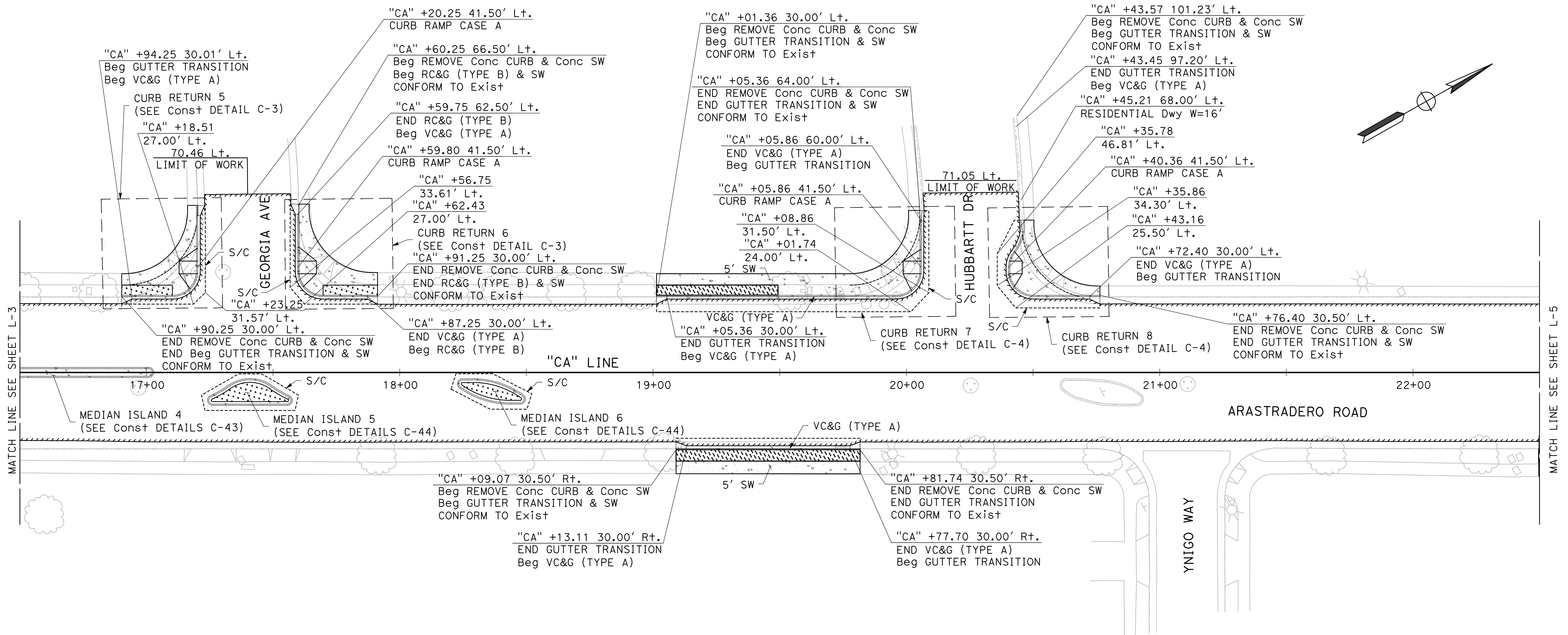
DATE: 3/24/2017
 SCALE: 1"=20'
 DESIGNED BY: J. STREEPER
 DRAWN BY: V. SWAMINATHAN

LAYOUT
 CHARLESTON-ARASTRADERO CORRIDOR
 CITY OF PALO ALTO, CALIFORNIA

L-3

9 OF 175

DATE PLOTTED => 22-Mar-17 USERNAME => jtrn
 TIME PLOTTED => 16:07 FILE => Char-L1-11.dwg



0 10 20
 SCALE: 1"=20'

65% SUBMITTAL

REV	DATE	DESCRIPTION	BY



MARK THOMAS



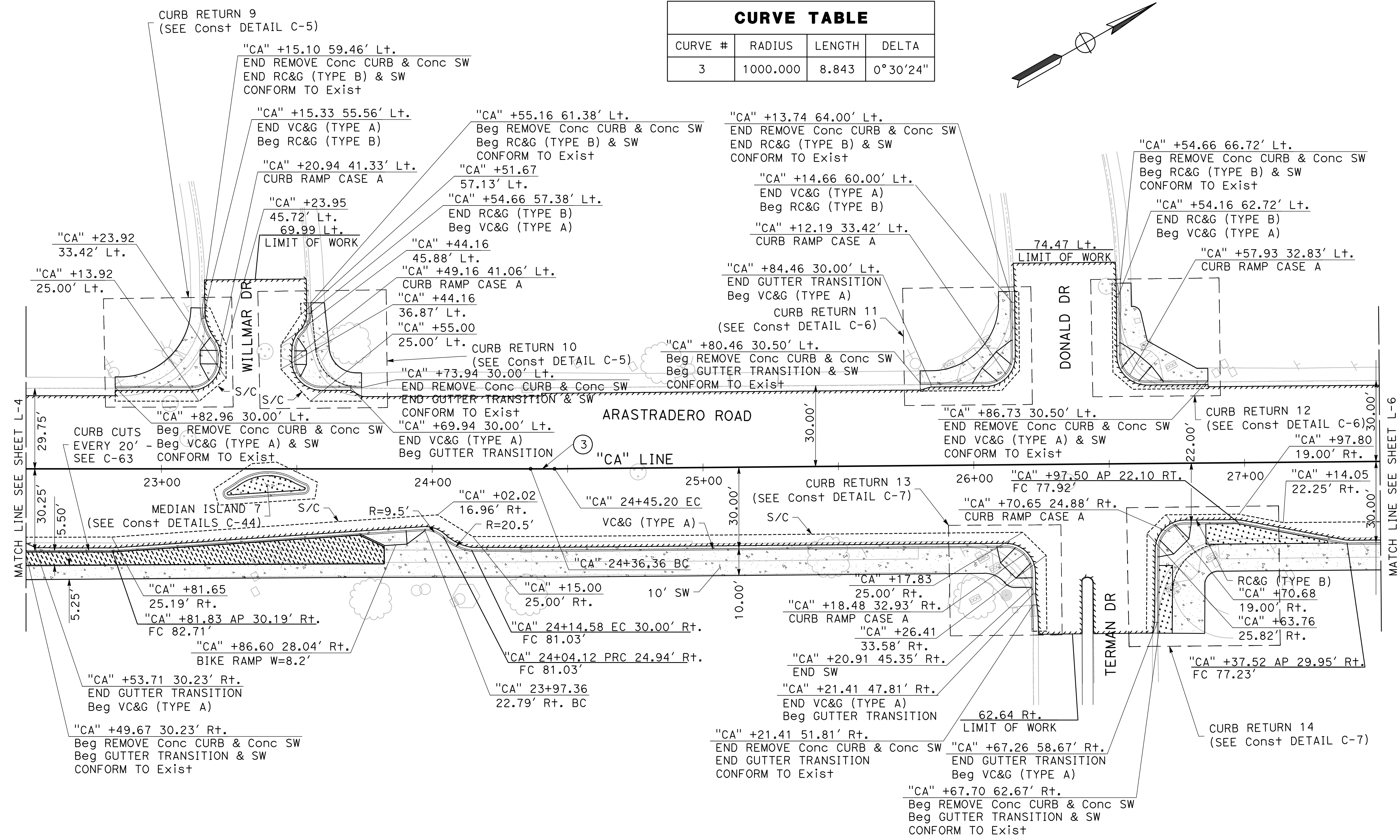
DATE: 3/24/2017
 SCALE: 1"=20'
 DESIGNED BY: J. STREEPER
 DRAWN BY: V. SWAMINATHAN

LAYOUT
CHARLESTON-ARASTRADERO CORRIDOR
CITY OF PALO ALTO, CALIFORNIA

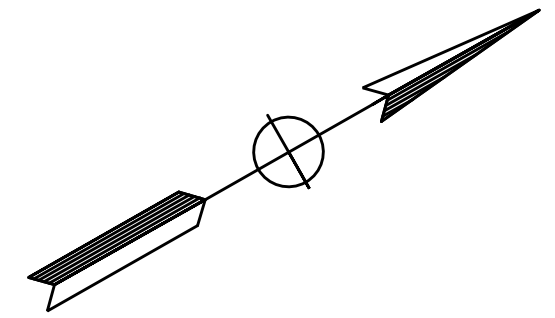
L-4

10 OF 175

DATE PLOTTED => 22-Mar-17
 TIME PLOTTED => 16:07
 USERNAME => jtrn
 FILE => Char-L1-11.dwg



CURVE TABLE			
CURVE #	RADIUS	LENGTH	DELTA
3	1000.000	8.843	0°30'24"



0 10 20
 SCALE: 1"=20'

65% SUBMITTAL

REV	DATE	DESCRIPTION	BY



MARK THOMAS



DATE: 3/24/2017
 SCALE: 1"=20'
 DESIGNED BY: J. STREEPER
 DRAWN BY: V. SWAMINATHAN

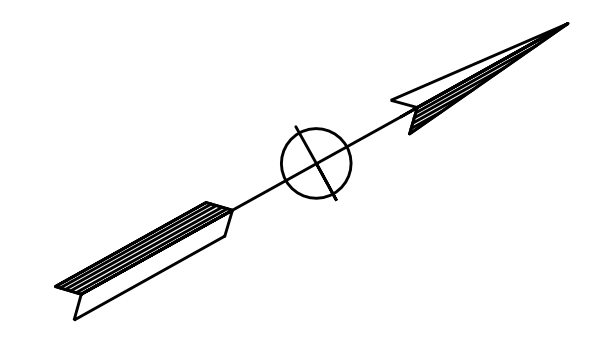
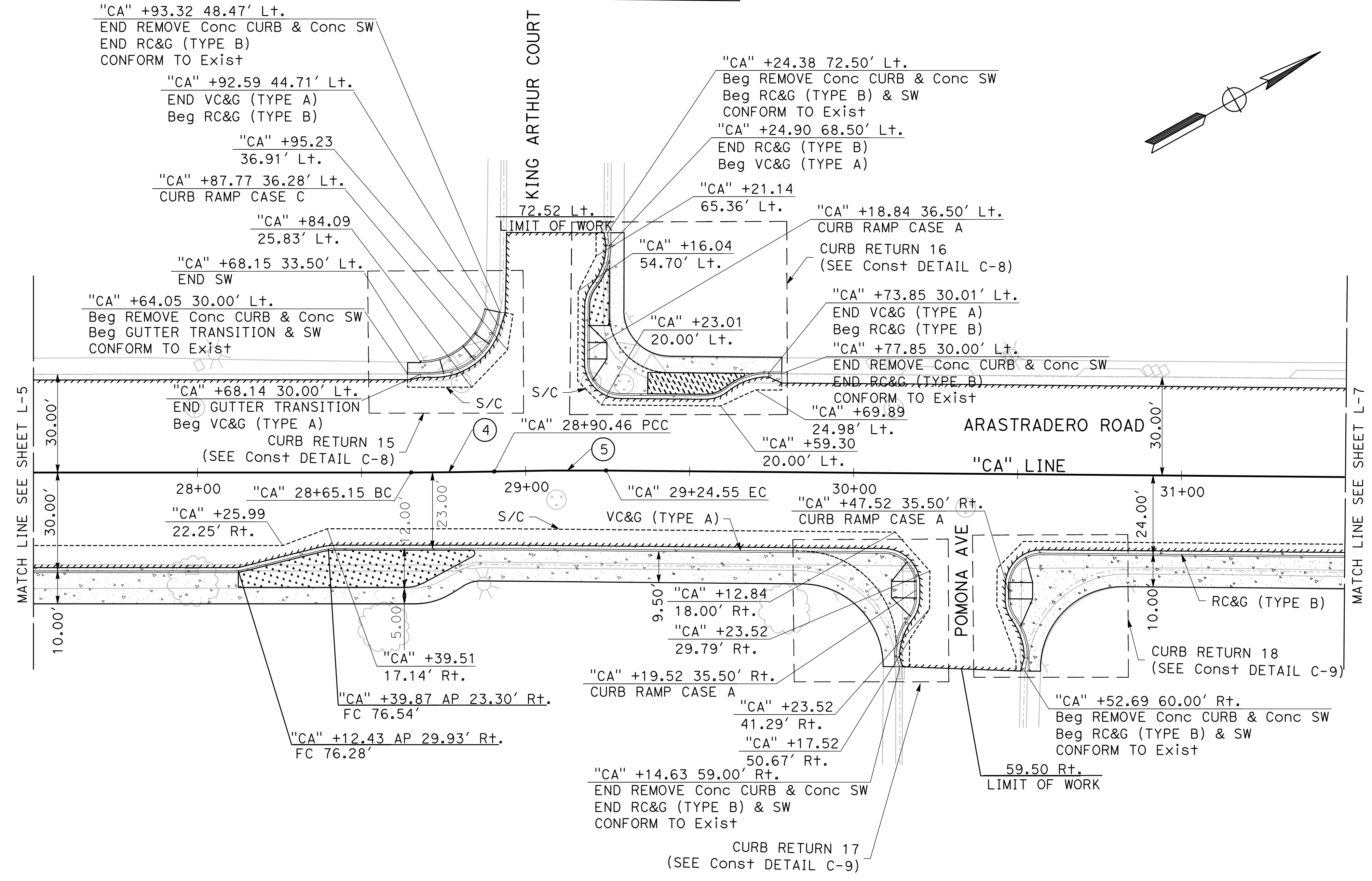
LAYOUT
CHARLESTON-ARASTRADERO CORRIDOR
CITY OF PALO ALTO, CALIFORNIA

L-5

11 OF 175

DATE PLOTTED => 22-Mar-17
 TIME PLOTTED => 16:07
 USERNAME => jiron
 FILE => Char-L1-11.dwg

CURVE TABLE			
CURVE #	RADIUS	LENGTH	DELTA
4	1000.000	25.319	1°27'02"
5	1000.000	34.082	1°57'10"



0 10 20
 SCALE: 1"=20'

65% SUBMITTAL

REV	DATE	DESCRIPTION	BY



MARK THOMAS



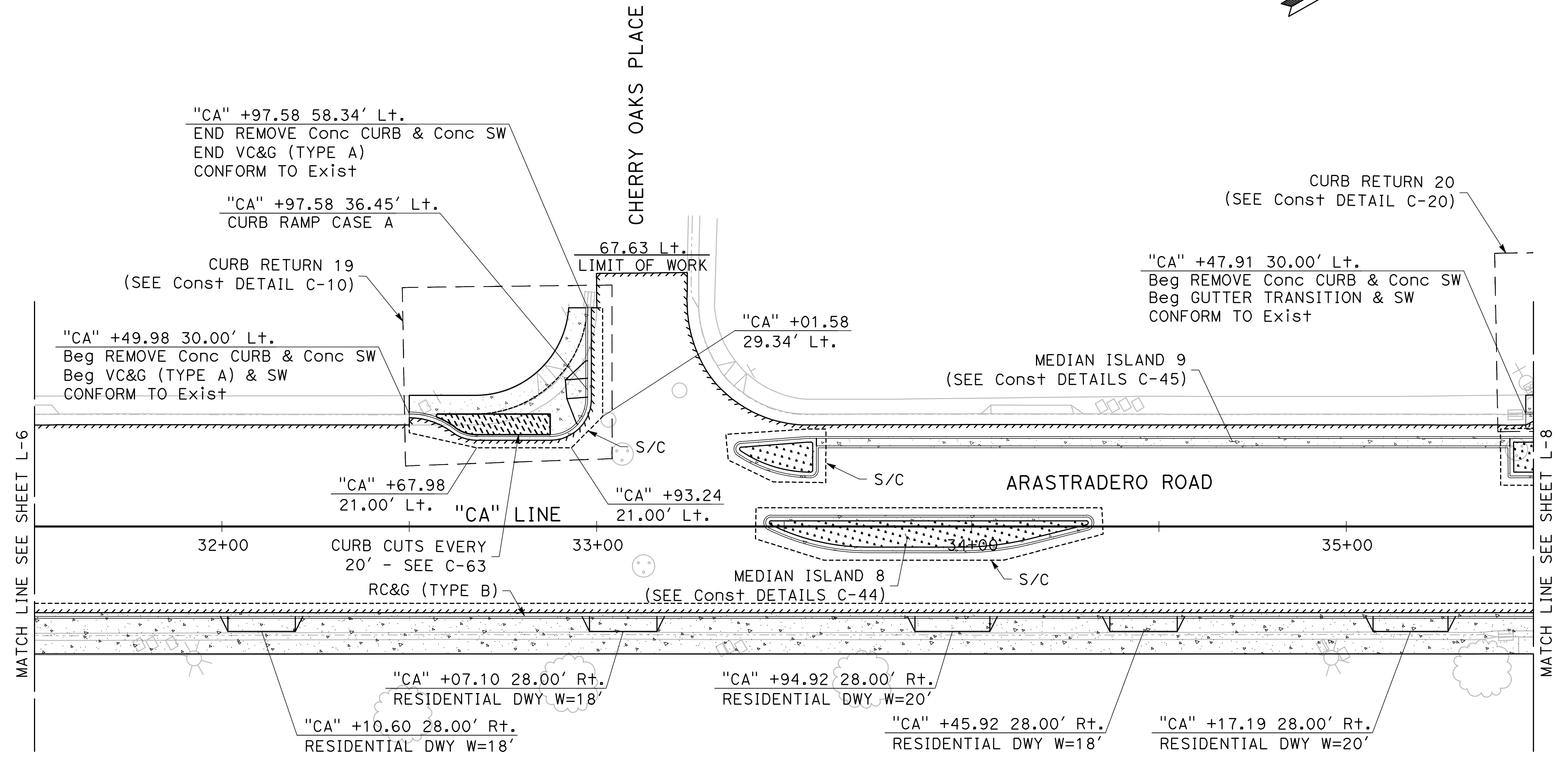
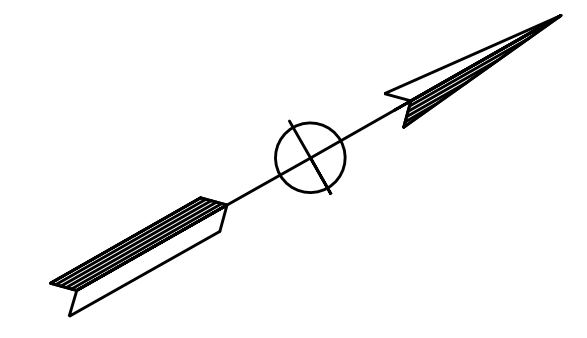
DATE: 3/24/2017
 SCALE: 1"=20'
 DESIGNED BY: J. STREEPER
 DRAWN BY: V. SWAMINATHAN

LAYOUT
CHARLESTON-ARASTRADERO CORRIDOR
CITY OF PALO ALTO, CALIFORNIA

L-6

12 OF 175

DATE PLOTTED => 22-Mar-17 USERNAME => jtrn
 TIME PLOTTED => 16:07 FILE => Chr-L1-11.dwg



0 10 20
 SCALE: 1"=20'

65% SUBMITTAL

REV	DATE	DESCRIPTION	BY

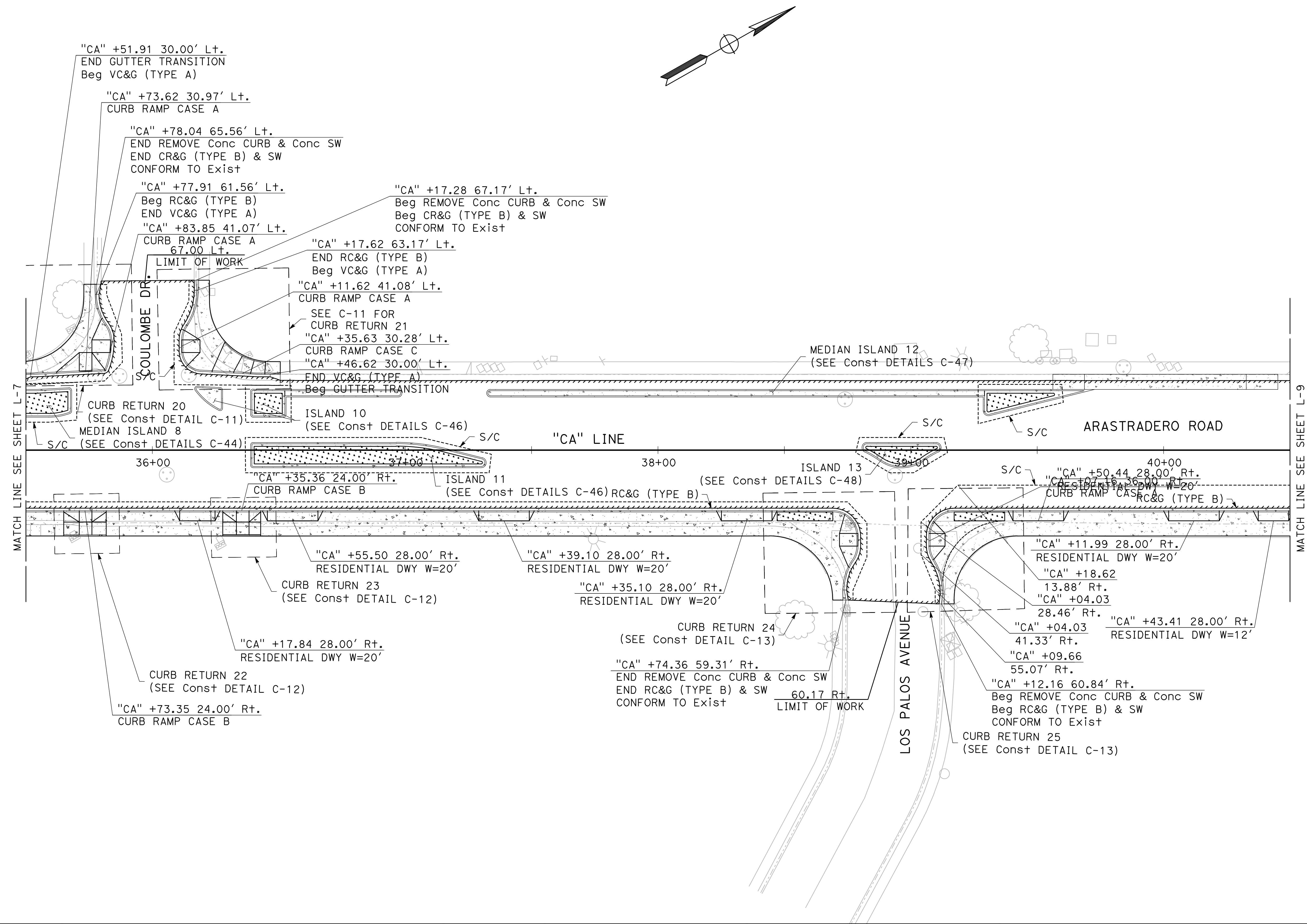


DATE: 3/24/2017
 SCALE: 1"=20'
 DESIGNED BY: J. STREEPER
 DRAWN BY: V. SWAMINATHAN

LAYOUT
 CHARLESTON-ARASTRADERO CORRIDOR
 CITY OF PALO ALTO, CALIFORNIA

L-7
 13 OF 175

DATE PLOTTED => 22-Mar-17
 TIME PLOTTED => 16:07
 USERNAME => jtrn
 FILE => Char-L1-11.dwg



MATCH LINE SEE SHEET L-7

MATCH LINE SEE SHEET L-9

0 10 20
 SCALE: 1"=20'

65% SUBMITTAL

REV	DATE	DESCRIPTION	BY

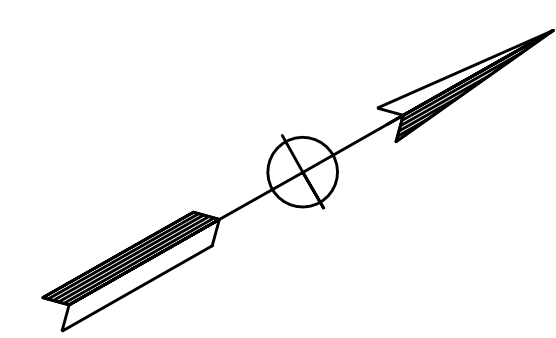


DATE: 3/24/2017
 SCALE: 1"=20'
 DESIGNED BY: J. STREEPER
 DRAWN BY: V. SWAMINATHAN

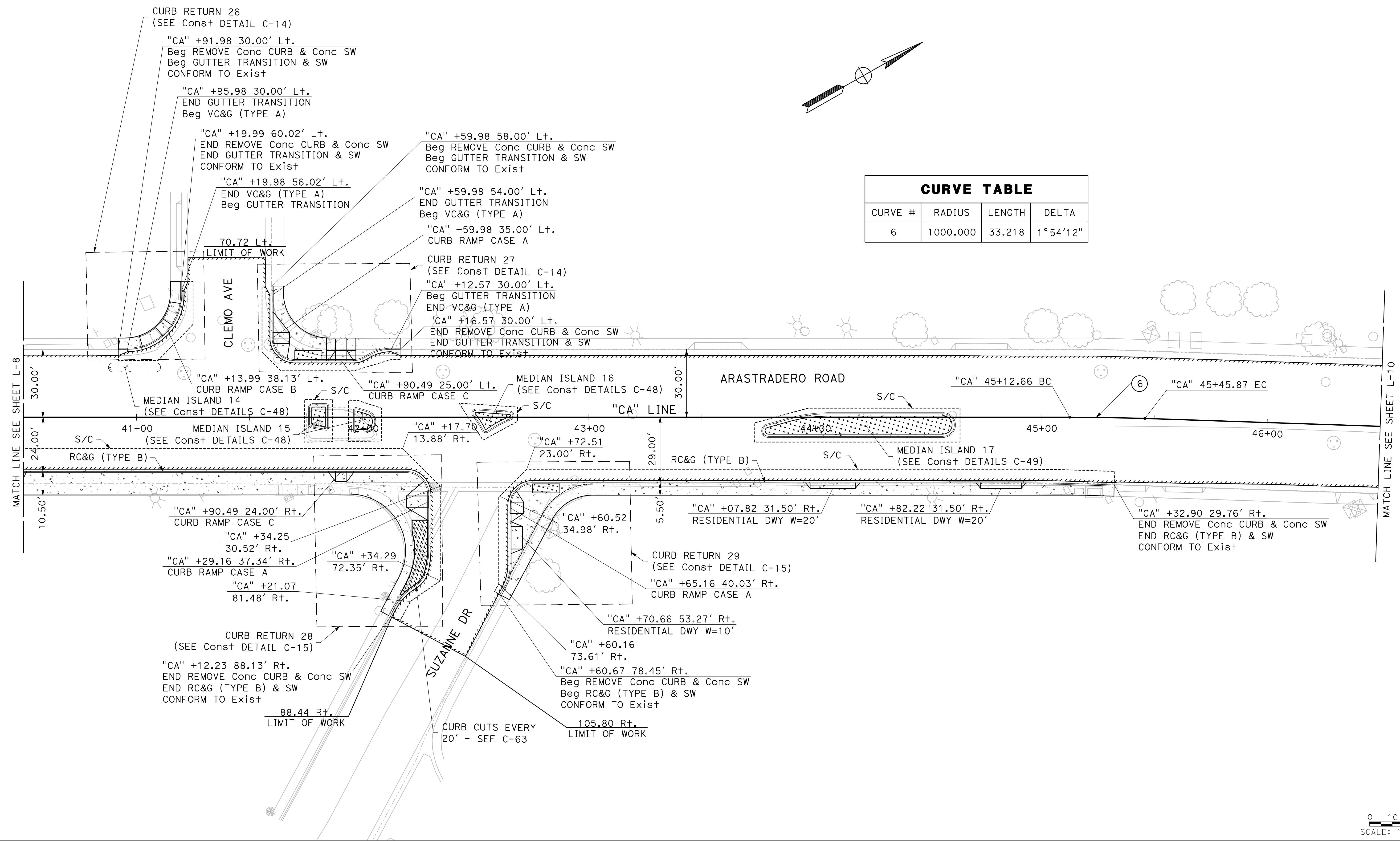
LAYOUT
 CHARLESTON-ARASTRADERO CORRIDOR
 CITY OF PALO ALTO, CALIFORNIA

L-8
 14 OF 175

DATE PLOTTED => 22-Mar-17
 TIME PLOTTED => 16:07
 USERNAME => jtrn
 FILE => Char-L1-11.dwg



CURVE TABLE			
CURVE #	RADIUS	LENGTH	DELTA
6	1000.000	33.218	1°54'12"



0 10 20
 SCALE: 1"=20'

65% SUBMITTAL

REV	DATE	DESCRIPTION	BY



MARK THOMAS



DATE: 3/24/2017
 SCALE: 1"=20'
 DESIGNED BY: J. STREEPER
 DRAWN BY: V. SWAMINATHAN

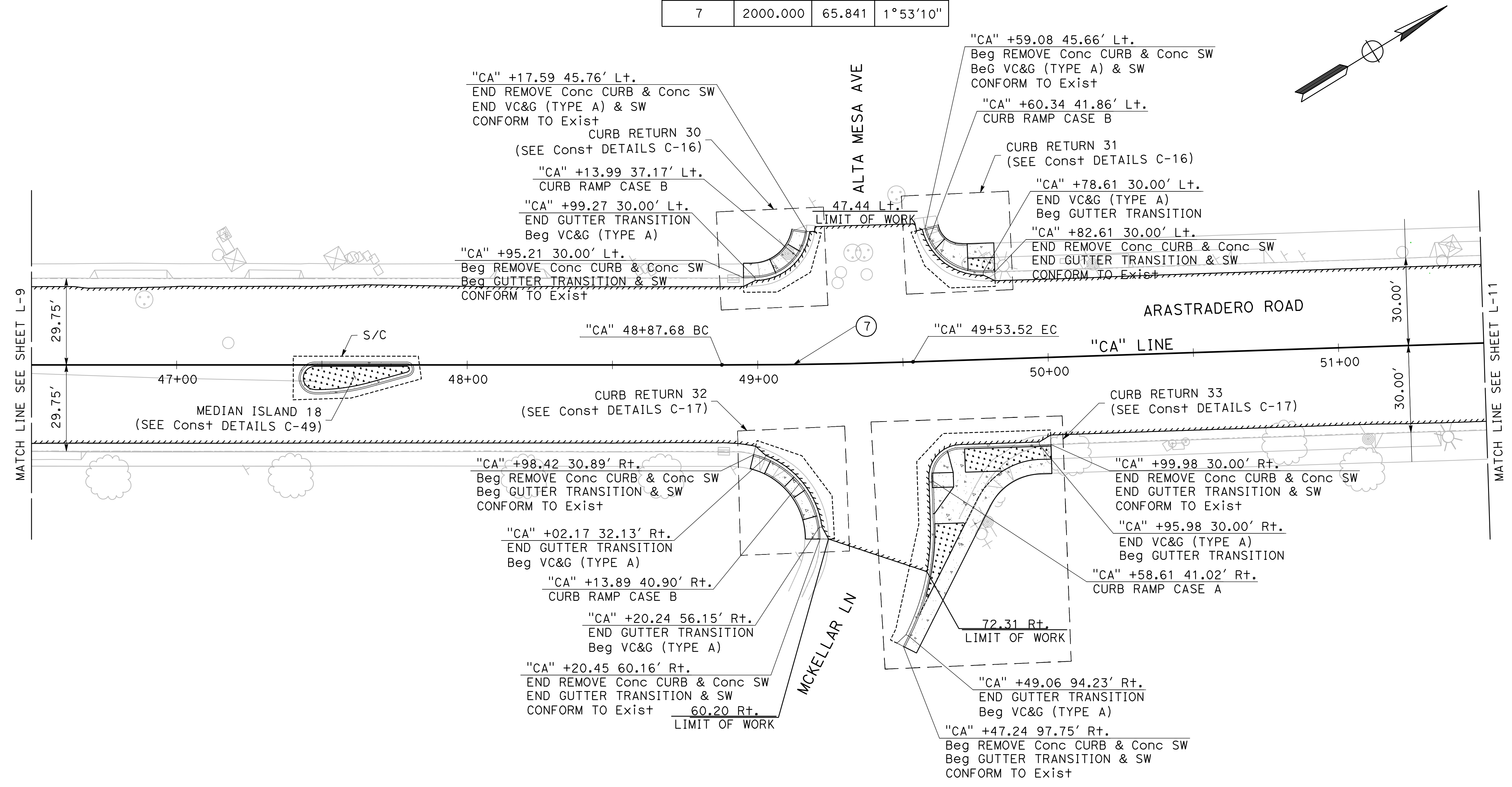
LAYOUT
 CHARLESTON-ARASTRADERO CORRIDOR
 CITY OF PALO ALTO, CALIFORNIA

L-9

15 OF 175

DATE PLOTTED => 22-Mar-17
 TIME PLOTTED => 16:07
 USERNAME => jtrn
 FILE => Char-L1-11.dwg

CURVE TABLE			
CURVE #	RADIUS	LENGTH	DELTA
7	2000.000	65.841	1°53'10"



0 10 20
 SCALE: 1"=20'

65% SUBMITTAL

REV	DATE	DESCRIPTION	BY



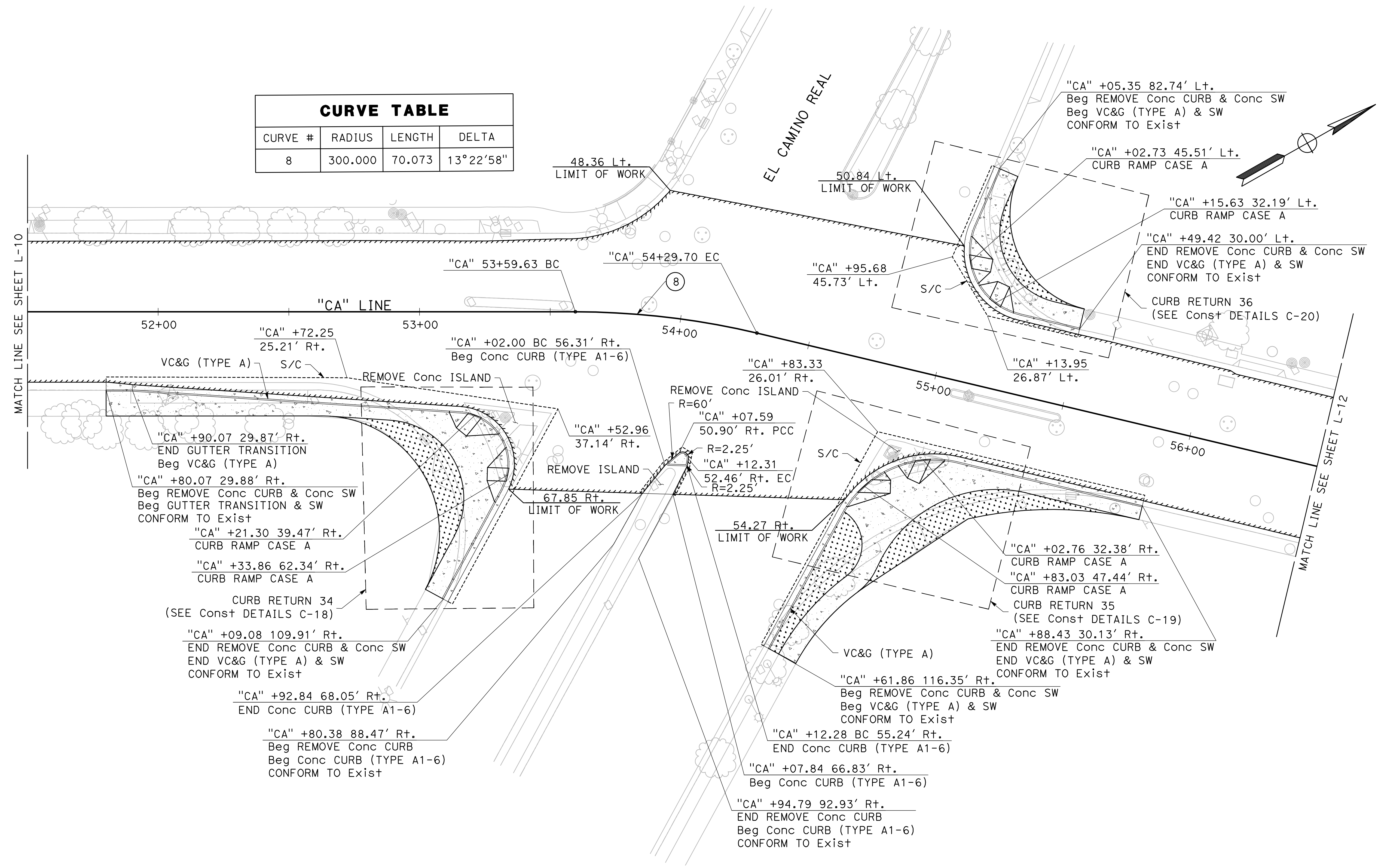
DATE: 3/24/2017
 SCALE: 1"=20'
 DESIGNED BY: J. STREEPER
 DRAWN BY: V. SWAMINATHAN

LAYOUT
 CHARLESTON-ARASTRADERO CORRIDOR
 CITY OF PALO ALTO, CALIFORNIA

L-10
 16 OF 175

DATE PLOTTED => 22-Mar-17 16:07
 TIME PLOTTED => 16:07
 USERNAME => jtrn
 FILE => Char-L1-11.dwg

CURVE TABLE			
CURVE #	RADIUS	LENGTH	DELTA
8	300.000	70.073	13°22'58"



0 10 20
 SCALE: 1"=20'

65% SUBMITTAL

REV	DATE	DESCRIPTION	BY



MARK THOMAS



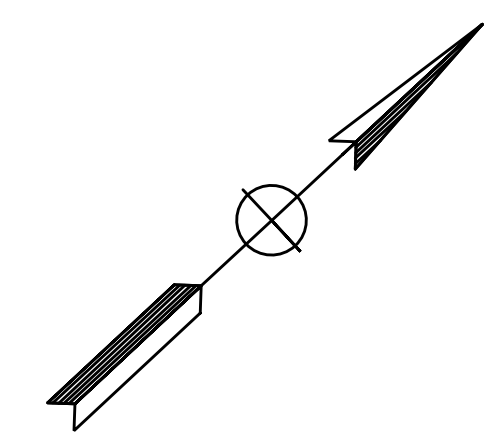
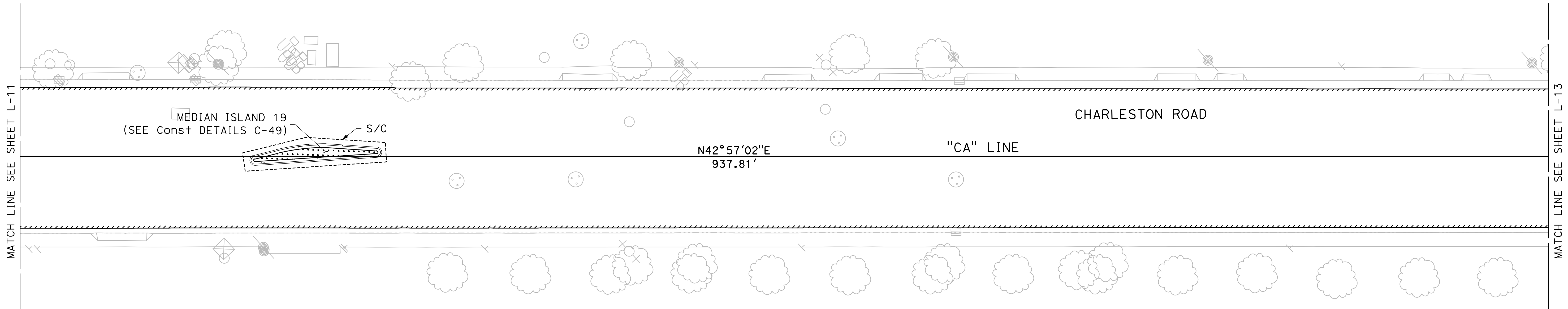
DATE: 3/24/2017
 SCALE: 1"=20'
 DESIGNED BY: J. STREEPER
 DRAWN BY: V. SWAMINATHAN

LAYOUT
CHARLESTON-ARASTRADERO CORRIDOR
CITY OF PALO ALTO, CALIFORNIA

L-11

17 OF 175

DATE PLOTTED => 22-Mar-17 USERNAME => jtrn
 TIME PLOTTED => 16:06 FILE => Char-L12-19.dwg



0 10 20
 SCALE: 1"=20'

65% SUBMITTAL

REV	DATE	DESCRIPTION	BY

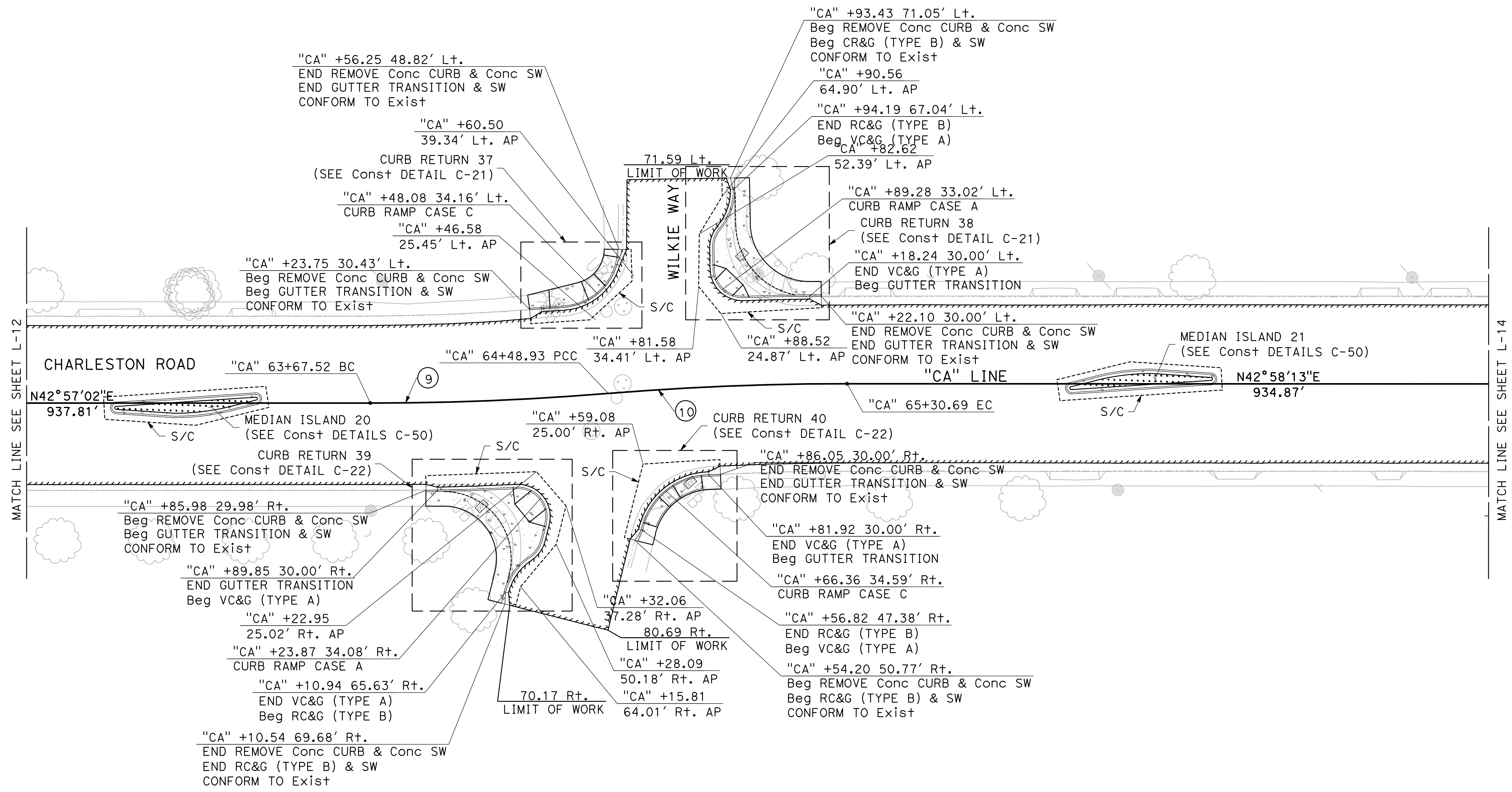
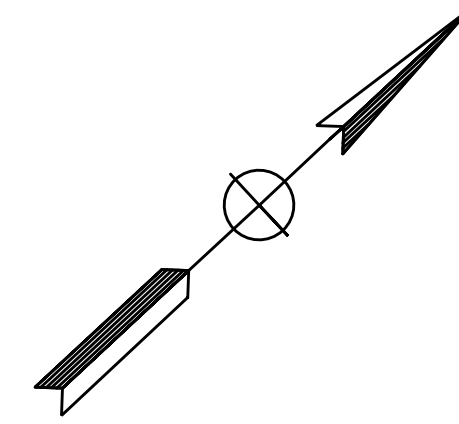


DATE: 3/24/2017
 SCALE: 1"=20'
 DESIGNED BY: J. STREEPER
 DRAWN BY: V. SWAMINATHAN

LAYOUT
 CHARLESTON-ARASTRADERO CORRIDOR
 CITY OF PALO ALTO, CALIFORNIA

L-12
 18 OF 175

CURVE TABLE			
CURVE#	RADIUS	LENGTH	DELTA
9	1000.000	81.417	4°39'53"
10	1000.000	81.760	4°41'04"



DATE PLOTTED => 22-Mar-17 16:06
 TIME PLOTTED => 16:06
 USERNAME => jtrn
 FILE => Char-L12-19.dwg

0 10 20
 SCALE: 1"=20'

65% SUBMITTAL

REV	DATE	DESCRIPTION	BY

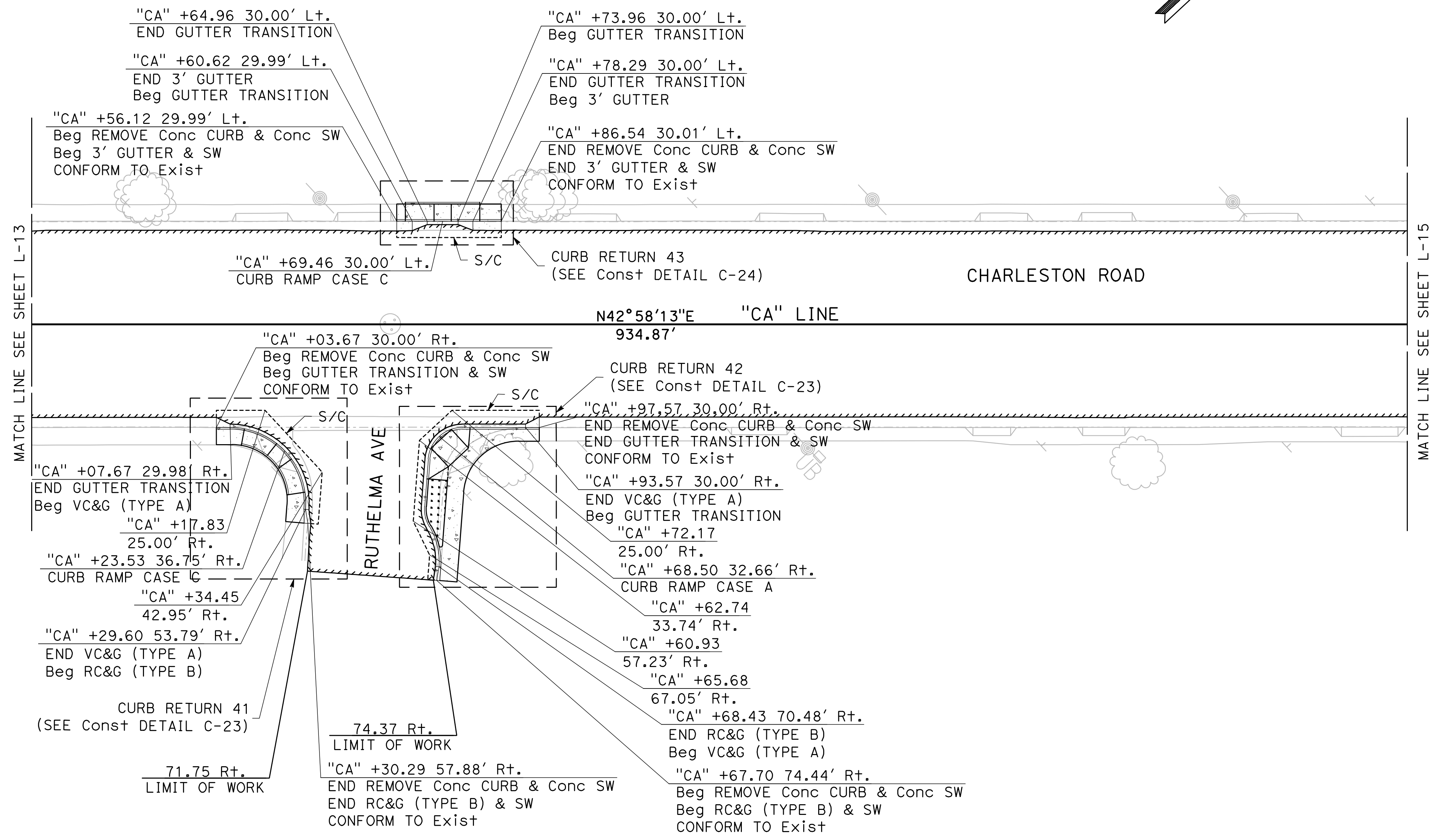
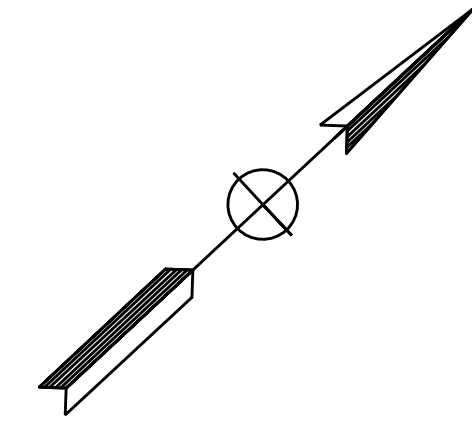


DATE: 3/24/2017
 SCALE: 1"=20'
 DESIGNED BY: J. STREEPER
 DRAWN BY: V. SWAMINATHAN

LAYOUT
 CHARLESTON-ARASTRADERO CORRIDOR
 CITY OF PALO ALTO, CALIFORNIA

L-13
 19 OF 175

DATE PLOTTED => 22-Mar-17
 TIME PLOTTED => 16:06
 USERNAME => jtran
 FILE => Char-L12-19.dwg



0 10 20
 SCALE: 1"=20'

65% SUBMITTAL

REV	DATE	DESCRIPTION	BY

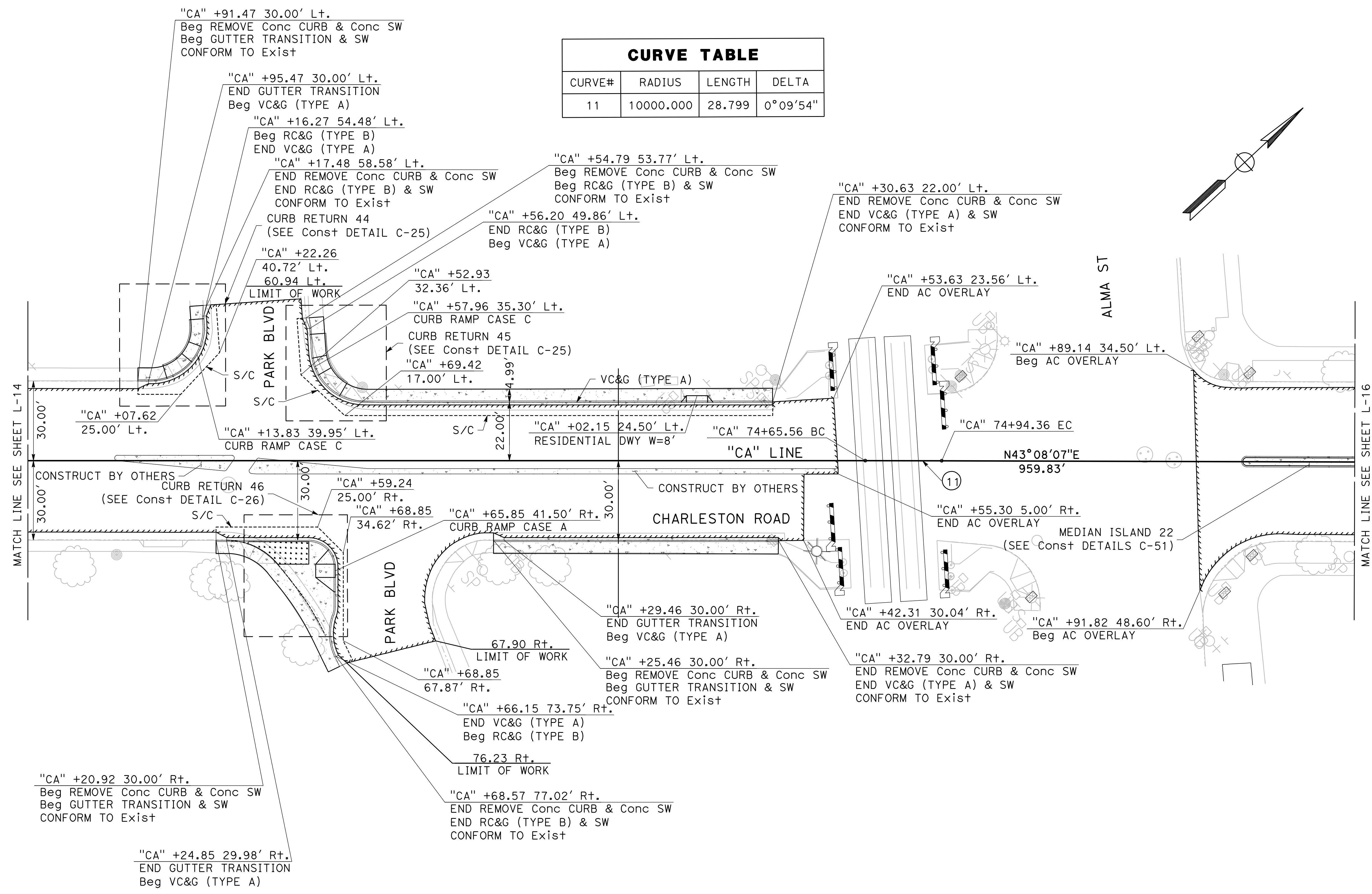


DATE: 3/24/2017
 SCALE: 1"=20'
 DESIGNED BY: J. STREEPER
 DRAWN BY: V. SWAMINATHAN

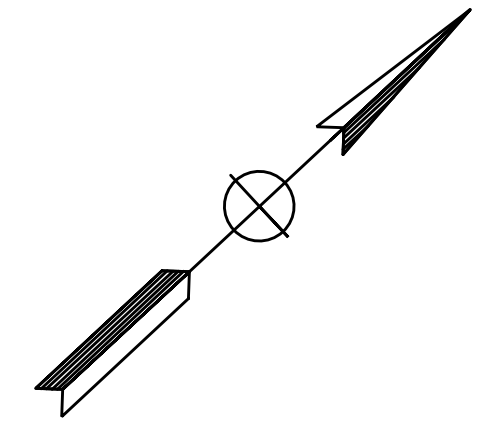
LAYOUT
 CHARLESTON-ARASTRADERO CORRIDOR
 CITY OF PALO ALTO, CALIFORNIA

L-14
 20 OF 175

DATE PLOTTED => 22-Mar-17
 TIME PLOTTED => 16:06
 USERNAME => jtrn
 FILE => Char-L12-19.dwg



CURVE TABLE			
CURVE#	RADIUS	LENGTH	DELTA
11	10000.000	28.799	0°09'54"



MATCH LINE SEE SHEET L-14

MATCH LINE SEE SHEET L-16

65% SUBMITTAL

REV	DATE	DESCRIPTION	BY



MARK THOMAS



DATE: 3/24/2017
 SCALE: 1"=20'
 DESIGNED BY: J. STREEPER
 DRAWN BY: V. SWAMINATHAN

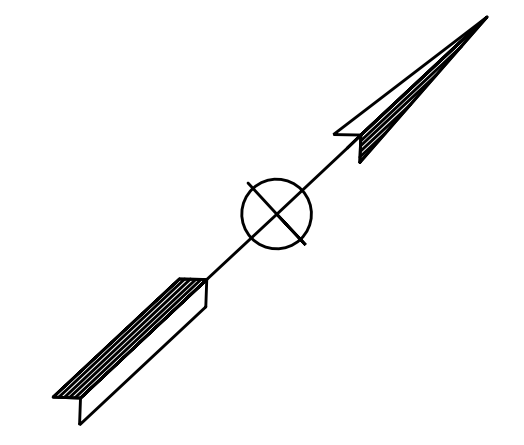
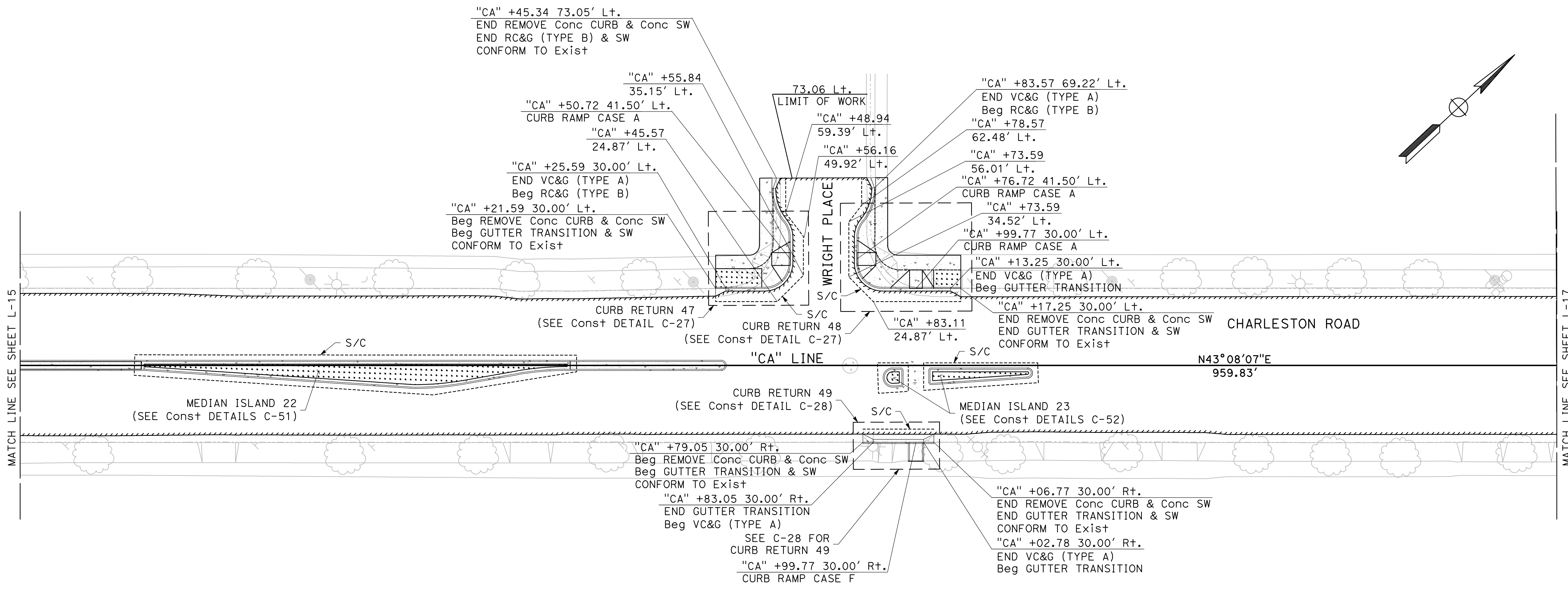
LAYOUT
CHARLESTON-ARASTRADERO CORRIDOR
CITY OF PALO ALTO, CALIFORNIA

0 10 20
 SCALE: 1"=20'

L-15

21 OF 175

DATE PLOTTED => 22-Mar-17 USERNAME => jtrn
 TIME PLOTTED => 16:06 FILE => Char-L12-19.dwg



MATCH LINE SEE SHEET L-15

MATCH LINE SEE SHEET L-17

0 10 20
 SCALE: 1"=20'

65% SUBMITTAL

REV	DATE	DESCRIPTION	BY



MARK THOMAS



DATE: 3/24/2017
 SCALE: 1"=20'
 DESIGNED BY: J. STREEPER
 DRAWN BY: V. SWAMINATHAN

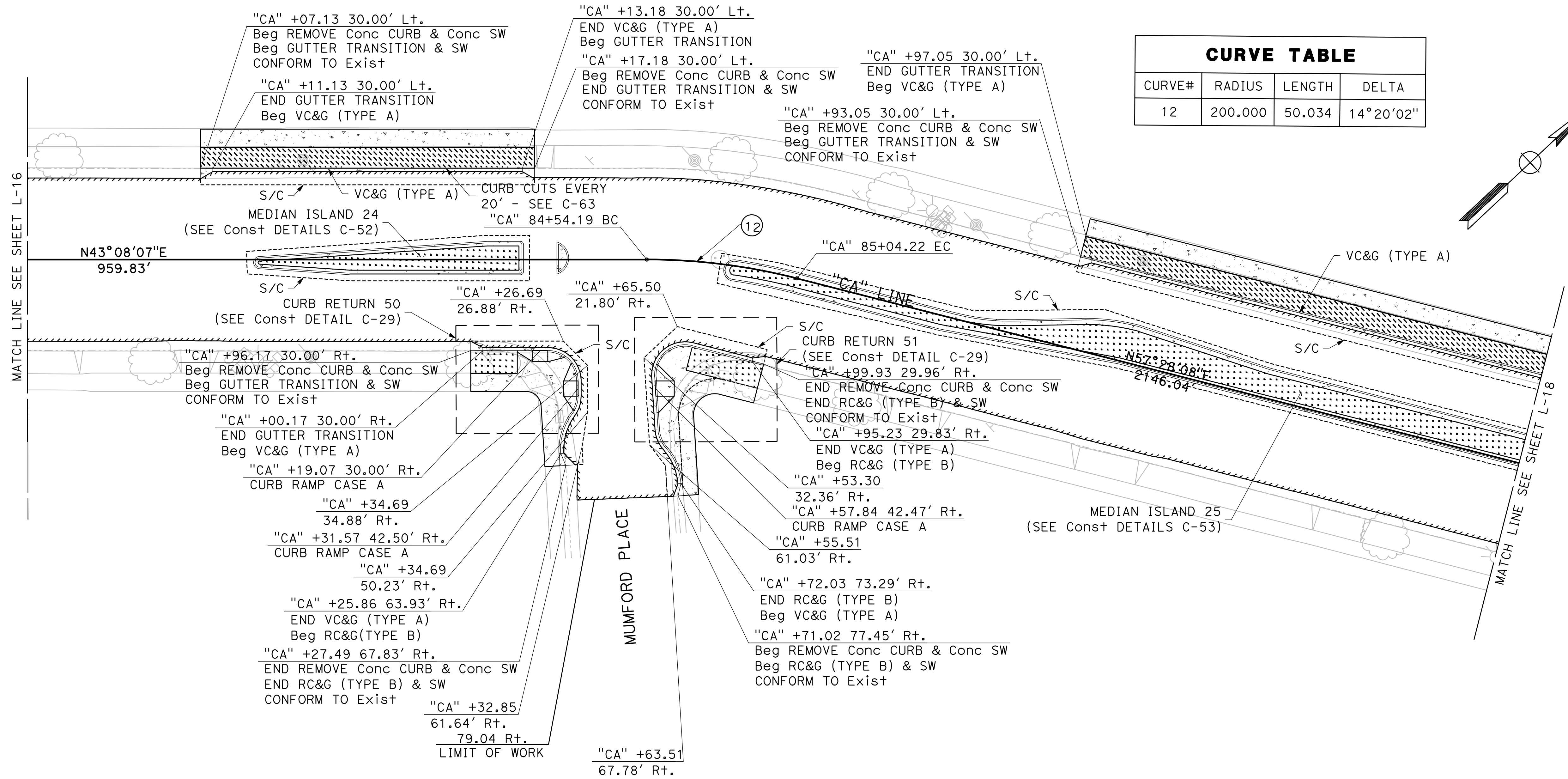
LAYOUT
CHARLESTON-ARASTRADERO CORRIDOR
CITY OF PALO ALTO, CALIFORNIA

L-16

22 OF 175

DATE PLOTTED => 22-Mar-17
 TIME PLOTTED => 16:06
 USERNAME => jtrn
 FILE => Chr-L12-19.dwg

CHARLESTON ROAD



CURVE TABLE			
CURVE#	RADIUS	LENGTH	DELTA
12	200.000	50.034	14°20'02"

MATCH LINE SEE SHEET L-16

MATCH LINE SEE SHEET L-18

65% SUBMITTAL

REV	DATE	DESCRIPTION	BY



MARK THOMAS



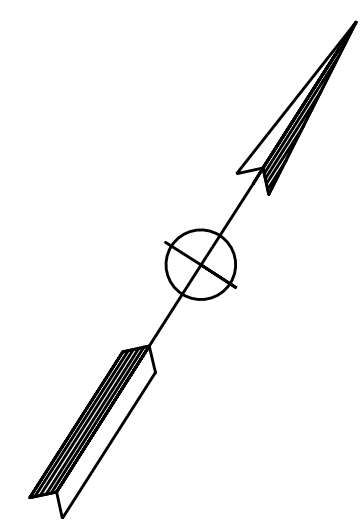
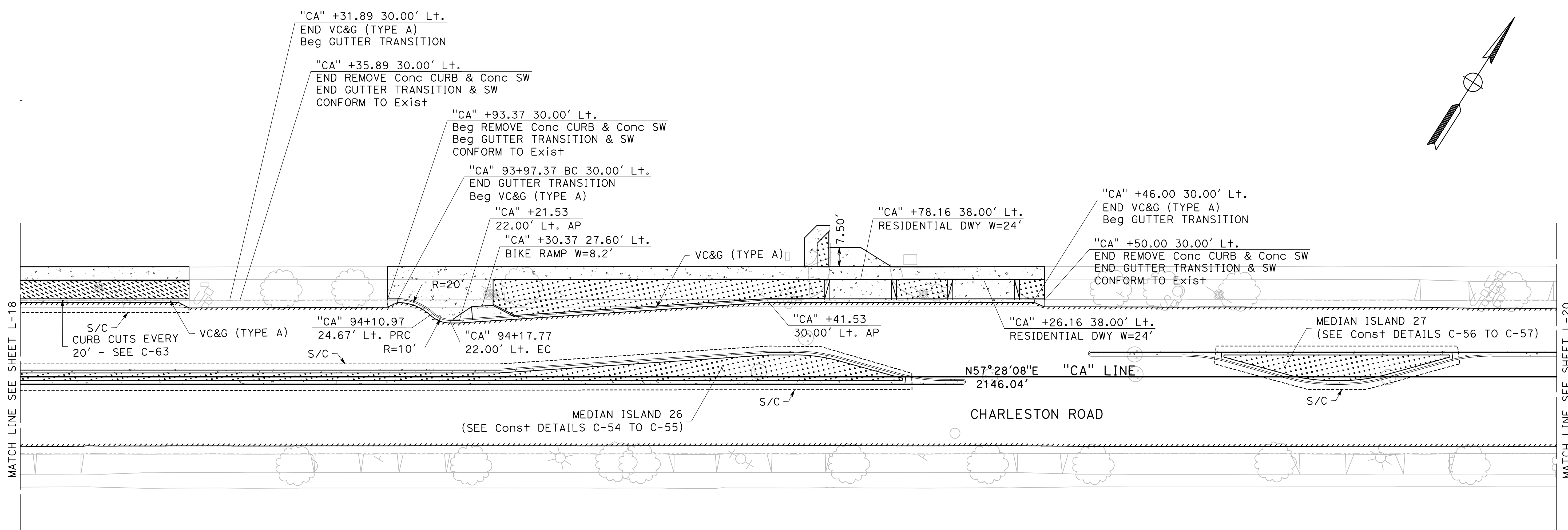
DATE: 3/24/2017
 SCALE: 1"=20'
 DESIGNED BY: J. STREEPER
 DRAWN BY: V. SWAMINATHAN

LAYOUT
 CHARLESTON-ARASTRADERO CORRIDOR
 CITY OF PALO ALTO, CALIFORNIA

0 10 20
 SCALE: 1"=20'

L-17

DATE PLOTTED => 22-Mar-17 USERNAME => jtrn
 TIME PLOTTED => 16:06 FILE => Chr-L12-19.dwg



MATCH LINE SEE SHEET L-18

MATCH LINE SEE SHEET L-20

0 10 20
 SCALE: 1"=20'

65% SUBMITTAL

REV	DATE	DESCRIPTION	BY



MARK THOMAS



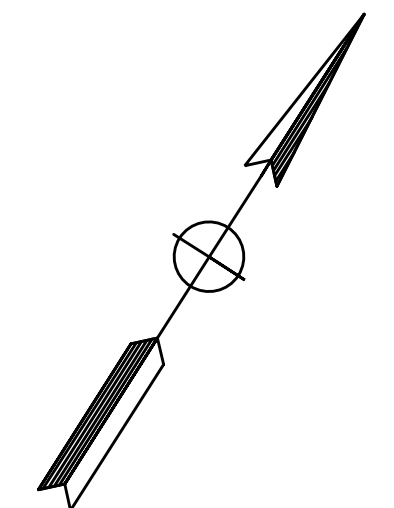
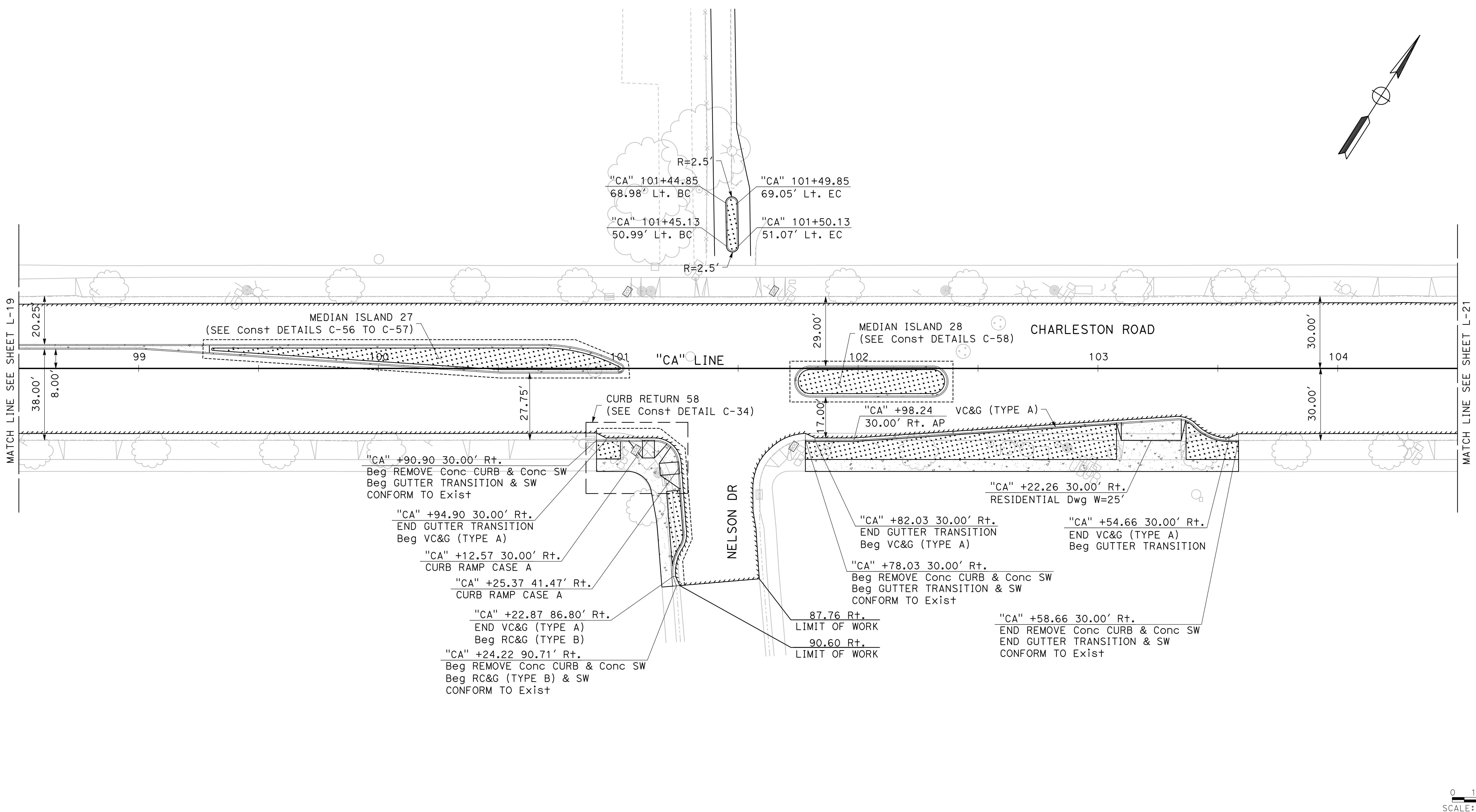
DATE: 3/24/2017
 SCALE: 1"=20'
 DESIGNED BY: J. STREEPER
 DRAWN BY: V. SWAMINATHAN

LAYOUT
CHARLESTON-ARASTRADERO CORRIDOR
CITY OF PALO ALTO, CALIFORNIA

L-19

25 OF 175

DATE PLOTTED => 22-Mar-17 USERNAME => jtrn
 TIME PLOTTED => 16:19 FILE => Char-L20-27.dwg



MATCH LINE SEE SHEET L-19

MATCH LINE SEE SHEET L-21

0 10 20
 SCALE: 1"=20'

65% SUBMITTAL

REV	DATE	DESCRIPTION	BY



MARK THOMAS



DATE: 3/24/2017
 SCALE: 1"=20'
 DESIGNED BY: J. STREEPER
 DRAWN BY: V. SWAMINATHAN

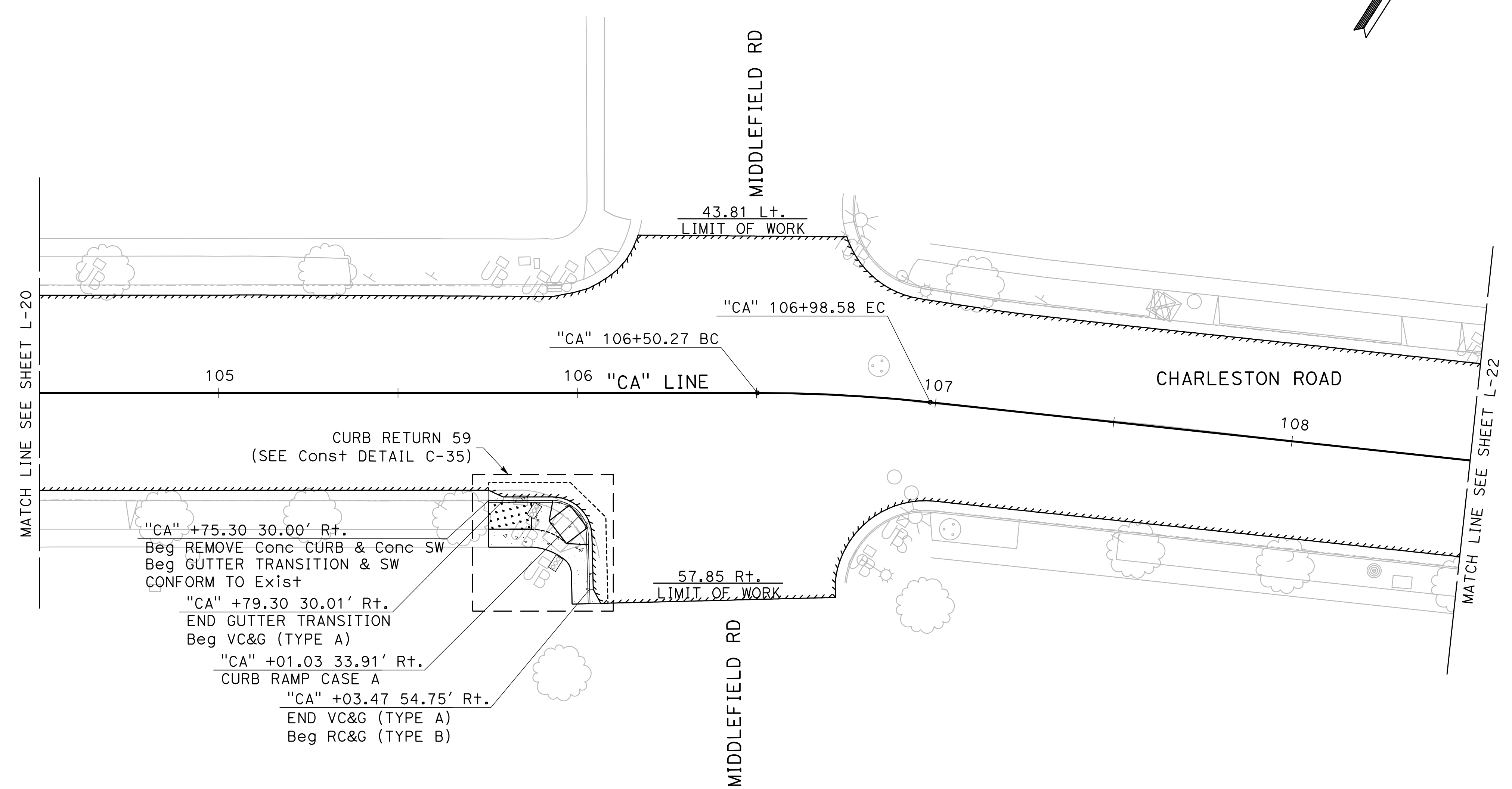
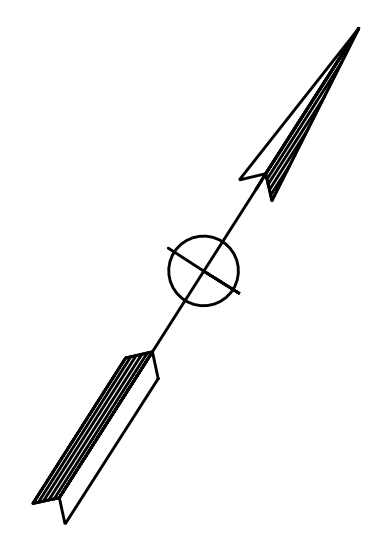
LAYOUT
CHARLESTON-ARASTRADERO CORRIDOR
CITY OF PALO ALTO, CALIFORNIA

L-20

26 OF 175

DATE PLOTTED => 22-Mar-17 USERNAME => jtrn
 TIME PLOTTED => 16:19 FILE => Char-L20-27.dwg

CURVE TABLE			
CURVE #	RADIUS	LENGTH	DELTA



MATCH LINE SEE SHEET L-20

MATCH LINE SEE SHEET L-22

0 10 20
 SCALE: 1"=20'

65% SUBMITTAL

REV	DATE	DESCRIPTION	BY



MARK THOMAS

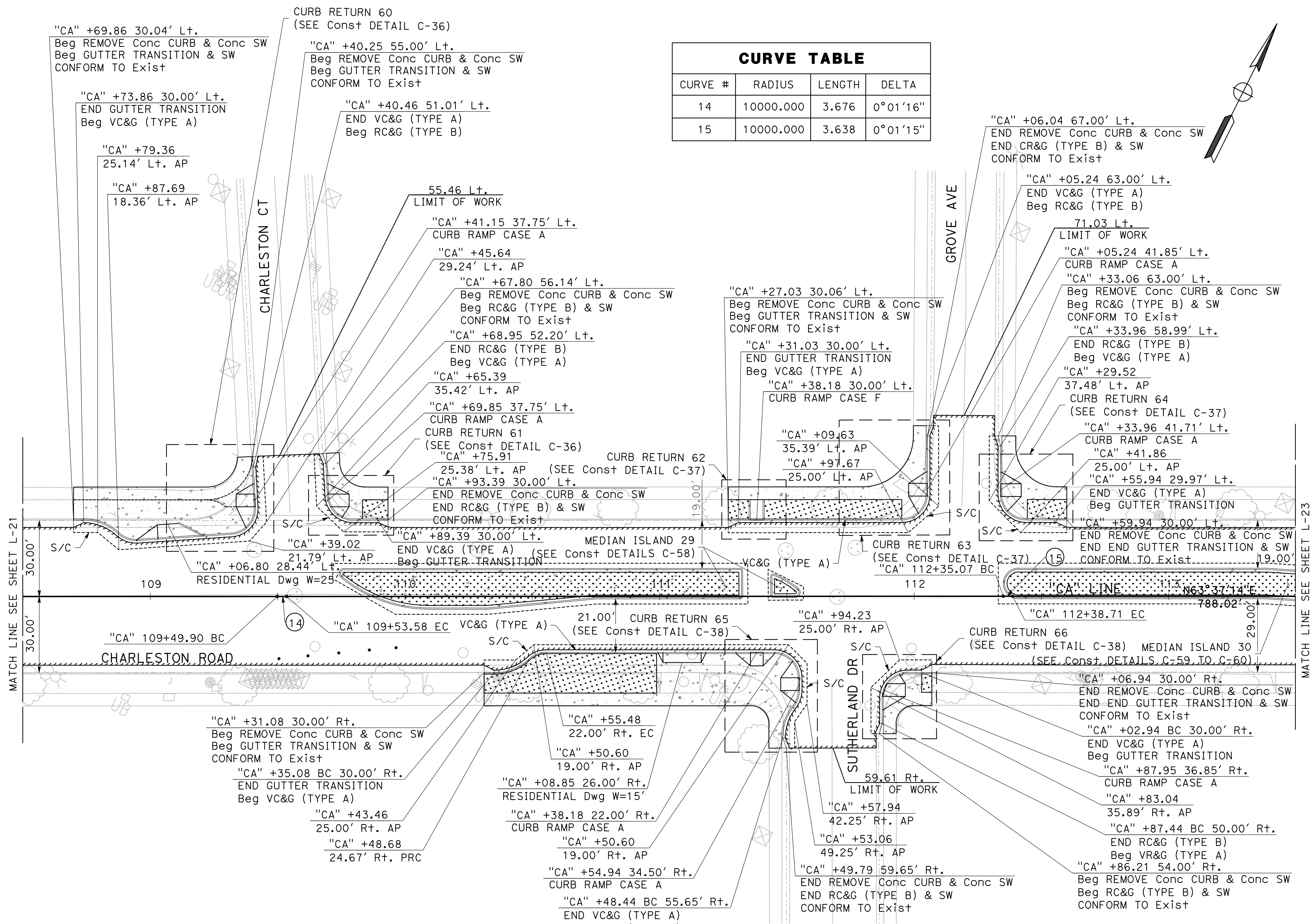


DATE: 3/24/2017
 SCALE: 1"=20'
 DESIGNED BY: J. STREEPER
 DRAWN BY: V. SWAMINATHAN

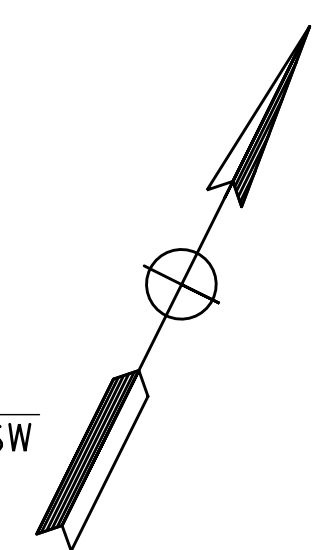
LAYOUT
CHARLESTON-ARASTRADERO CORRIDOR
CITY OF PALO ALTO, CALIFORNIA

L-21

DATE PLOTTED => 22-Mar-17
 TIME PLOTTED => 16:19
 USERNAME => jiron
 FILE => Chr-L20-27.dwg



CURVE TABLE			
CURVE #	RADIUS	LENGTH	DELTA
14	10000.000	3.676	0°01'16"
15	10000.000	3.638	0°01'15"



MATCH LINE SEE SHEET L-21

MATCH LINE SEE SHEET L-23

0 10 20
 SCALE: 1"=20'

65% SUBMITTAL

REV	DATE	DESCRIPTION	BY



MARK THOMAS

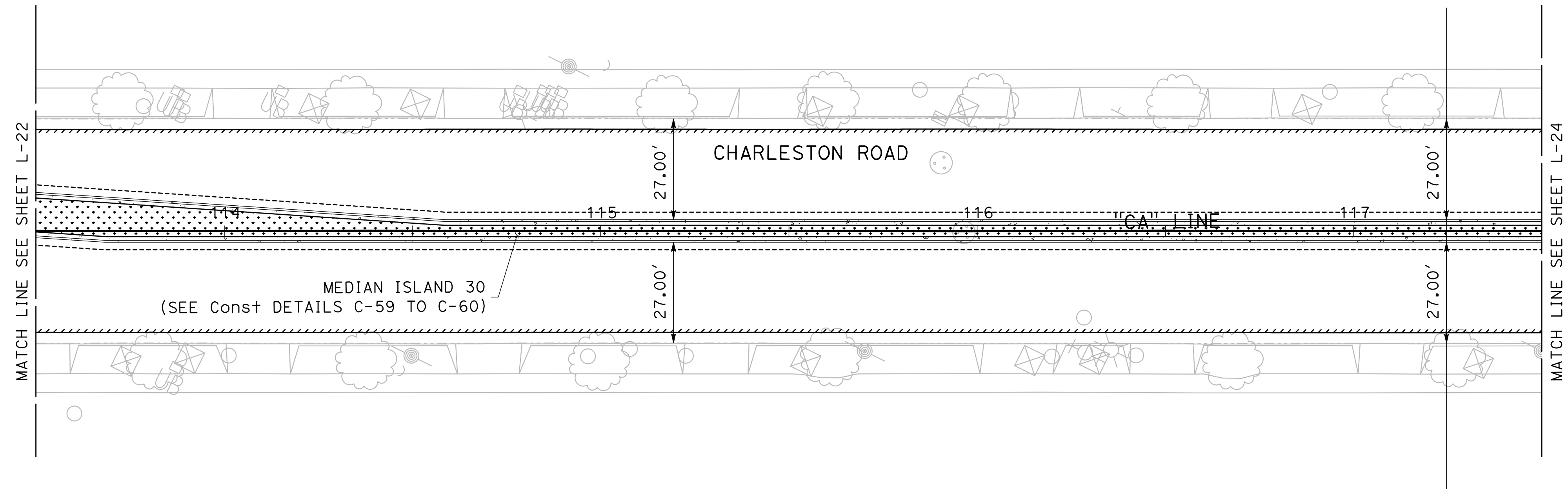
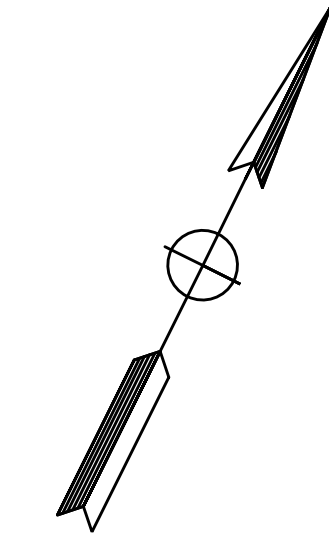


DATE: 3/24/2017
 SCALE: 1"=20'
 DESIGNED BY: J. STREEPER
 DRAWN BY: V. SWAMINATHAN

LAYOUT
CHARLESTON-ARASTRADERO CORRIDOR
CITY OF PALO ALTO, CALIFORNIA

L-22

DATE PLOTTED => 22-Mar-17 USERNAME => jtrn
 TIME PLOTTED => 16:20 FILE => Char-L20-27.dwg



0 10 20
 SCALE: 1"=20'

65% SUBMITTAL

REV	DATE	DESCRIPTION	BY

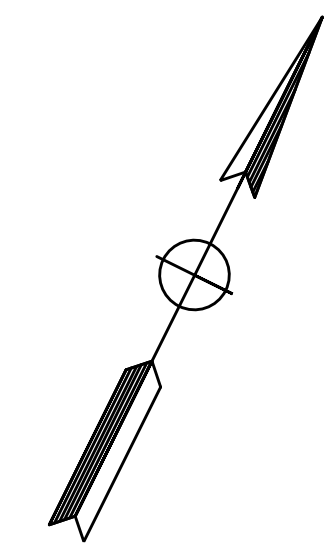
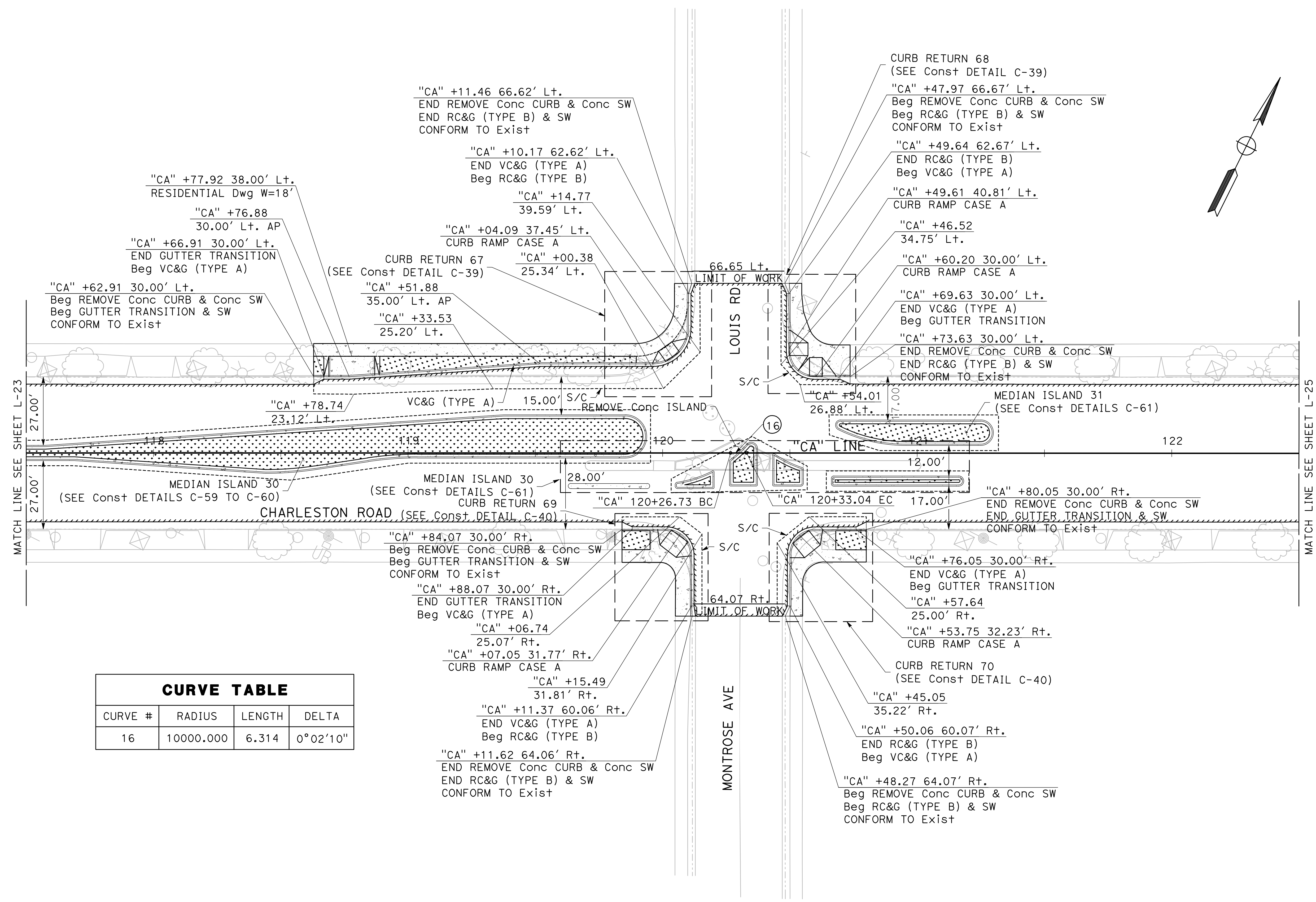


DATE: 3/24/2017
 SCALE: 1"=20'
 DESIGNED BY: J. STREEPER
 DRAWN BY: V. SWAMINATHAN

LAYOUT
CHARLESTON-ARASTRADERO CORRIDOR
CITY OF PALO ALTO, CALIFORNIA

L-23
 29 OF 175

DATE PLOTTED => 22-Mar-17 USERNAME => jtrn
 TIME PLOTTED => 16:20 FILE => Char-L20-27.dwg



CURVE TABLE			
CURVE #	RADIUS	LENGTH	DELTA
16	10000.000	6.314	0°02'10"

0 10 20
 SCALE: 1"=20'

65% SUBMITTAL

REV	DATE	DESCRIPTION	BY



MARK THOMAS



DATE: 3/24/2017
 SCALE: 1"=20'
 DESIGNED BY: J. STREEPER
 DRAWN BY: V. SWAMINATHAN

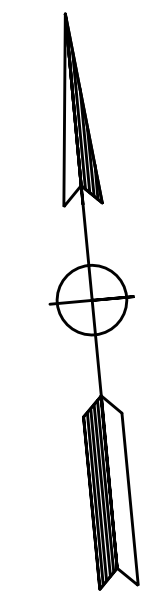
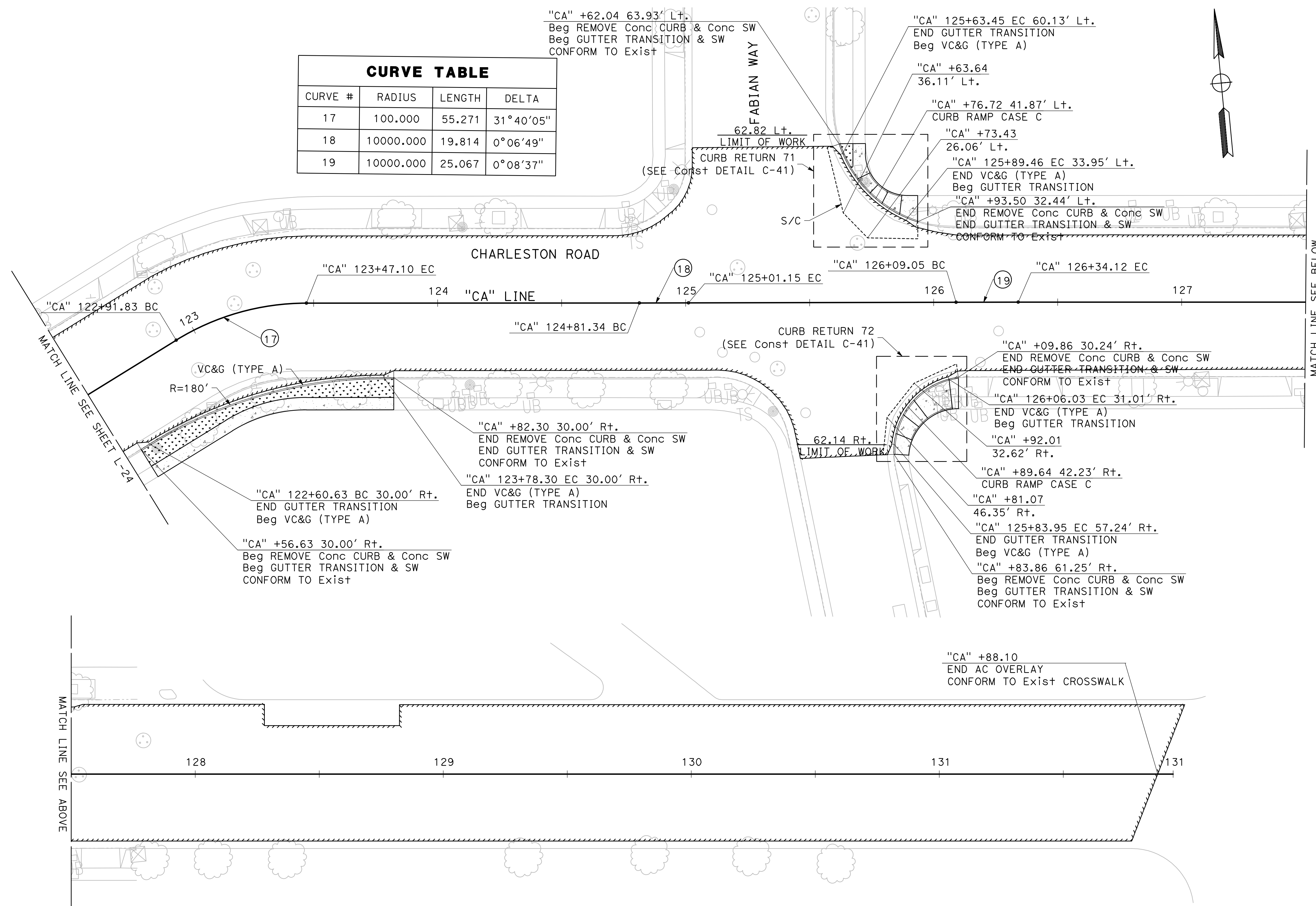
LAYOUT
 CHARLESTON-ARASTRADERO CORRIDOR
 CITY OF PALO ALTO, CALIFORNIA

L-24

30 OF 175

DATE PLOTTED => 22-Mar-17
 TIME PLOTTED => 16:20
 USERNAME => jiron
 FILE => Char-L20-27.dwg

CURVE TABLE			
CURVE #	RADIUS	LENGTH	DELTA
17	100.000	55.271	31°40'05"
18	10000.000	19.814	0°06'49"
19	10000.000	25.067	0°08'37"



MATCH LINE SEE ABOVE

MATCH LINE SEE BELOW

0 10 20
 SCALE: 1"=20'

65% SUBMITTAL

REV	DATE	DESCRIPTION	BY



MARK THOMAS

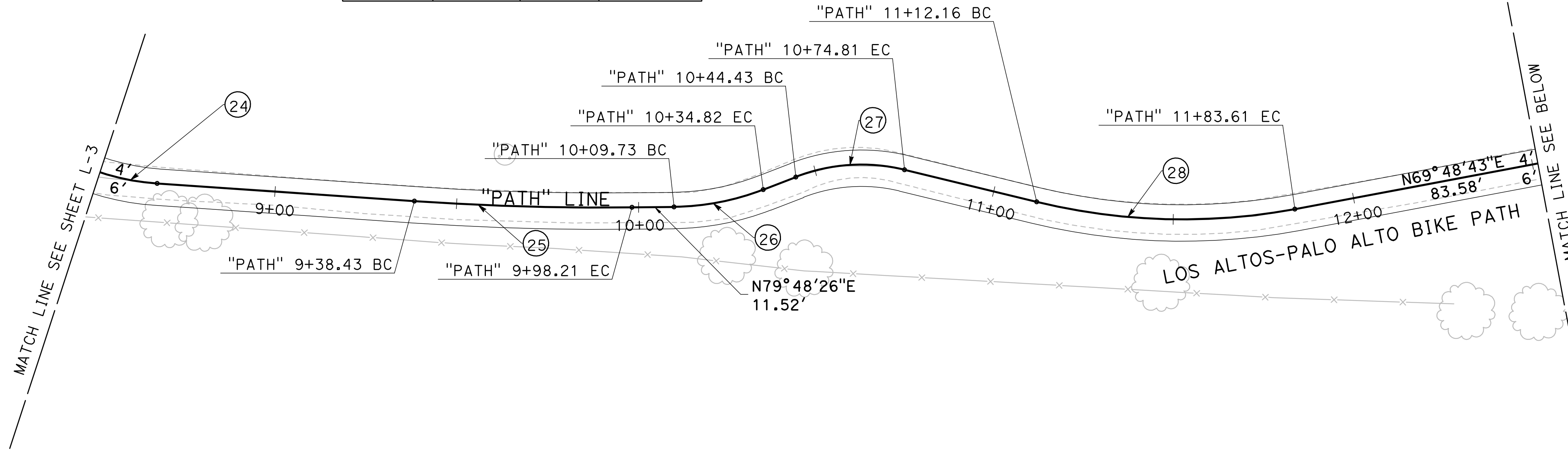


DATE: 3/24/2017
 SCALE: 1"=20'
 DESIGNED BY: J. STREEPER
 DRAWN BY: V. SWAMINATHAN

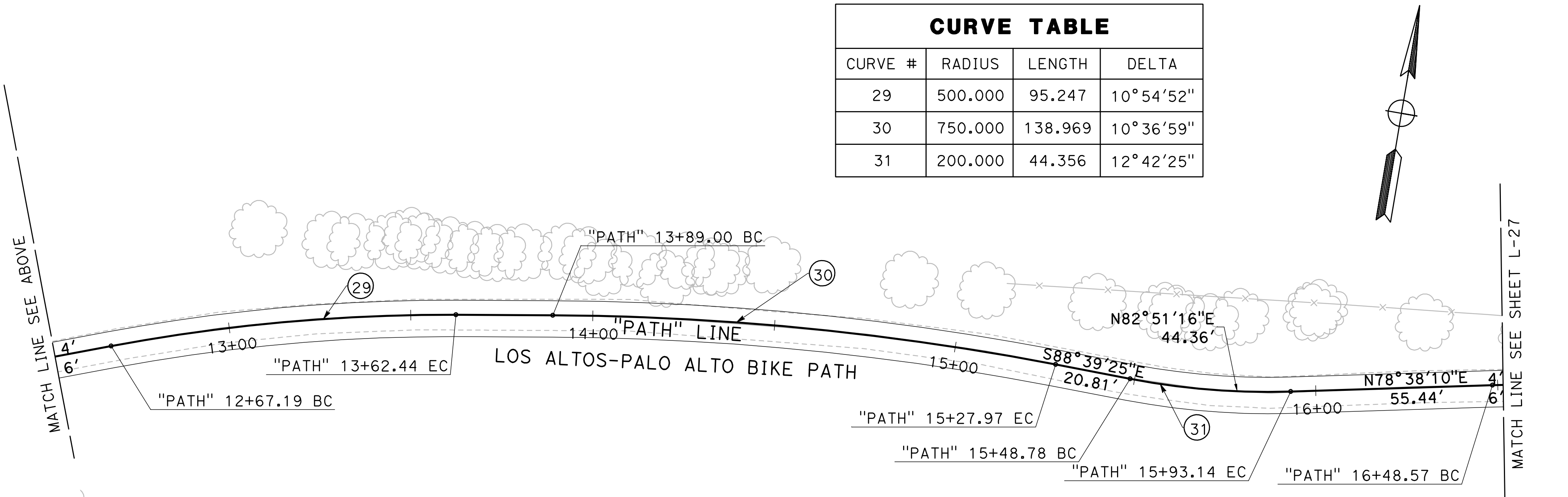
LAYOUT
CHARLESTON-ARASTRADERO CORRIDOR
CITY OF PALO ALTO, CALIFORNIA

L-25

CURVE TABLE			
CURVE #	RADIUS	LENGTH	DELTA
24	65.000	63.667	56°07'14"
25	750.000	59.781	4°34'01"
26	70.000	25.087	20°32'04"
27	50.000	30.379	34°48'41"
28	170.000	71.457	24°05'00"



CURVE TABLE			
CURVE #	RADIUS	LENGTH	DELTA
29	500.000	95.247	10°54'52"
30	750.000	138.969	10°36'59"
31	200.000	44.356	12°42'25"



DATE PLOTTED => 22-Mar-17 USERNAME => jiron
 TIME PLOTTED => 16:20 FILE => Chr-L20-27.dwg

0 10 20
 SCALE: 1"=20'

65% SUBMITTAL

REV	DATE	DESCRIPTION	BY



MARK THOMAS



DATE: 3/24/2017
 SCALE: 1"=20'
 DESIGNED BY: J. STREEPER
 DRAWN BY: V. SWAMINATHAN

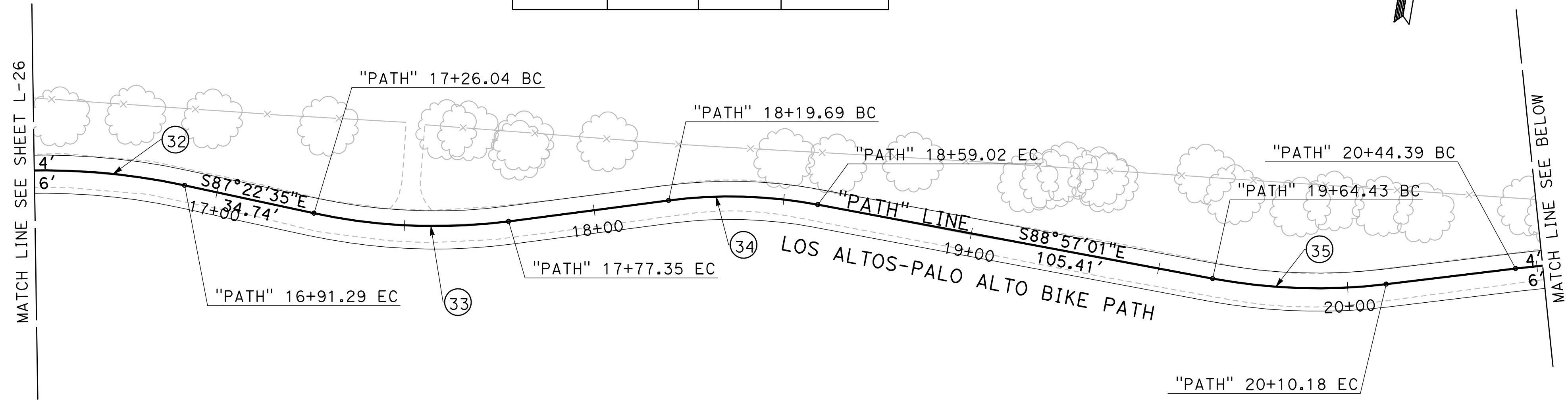
LAYOUT
 CHARLESTON-ARASTRADERO CORRIDOR
 CITY OF PALO ALTO, CALIFORNIA

L-26

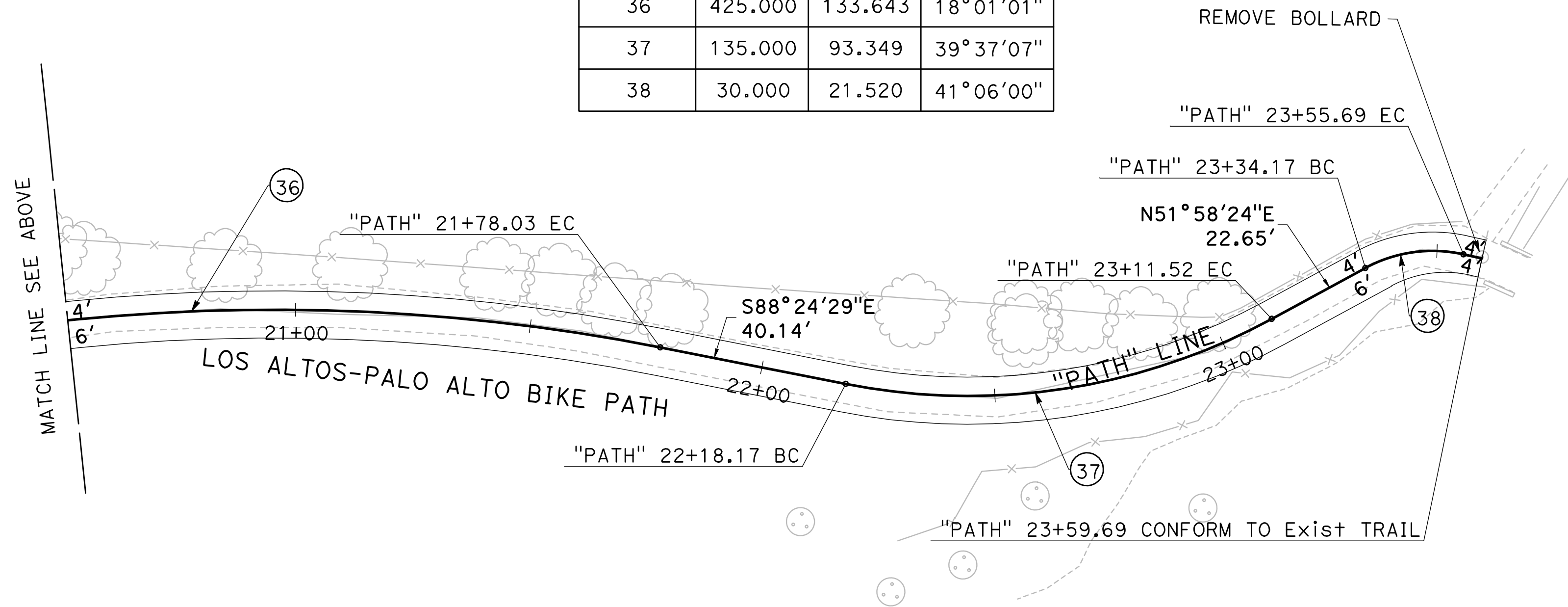
32 OF 175

DATE PLOTTED => 22-Mar-17 USERNAME => jtrn
 TIME PLOTTED => 16:20 FILE => Char-L20-27.dwg

CURVE TABLE			
CURVE #	RADIUS	LENGTH	DELTA
32	175.000	42.723	13°59'15"
33	150.000	51.312	19°35'59"
34	125.000	39.327	18°01'34"
35	150.000	45.749	17°28'29"



CURVE TABLE			
CURVE #	RADIUS	LENGTH	DELTA
36	425.000	133.643	18°01'01"
37	135.000	93.349	39°37'07"
38	30.000	21.520	41°06'00"



0 10 20
 SCALE: 1"=20'

65% SUBMITTAL

REV	DATE	DESCRIPTION	BY



MARK THOMAS



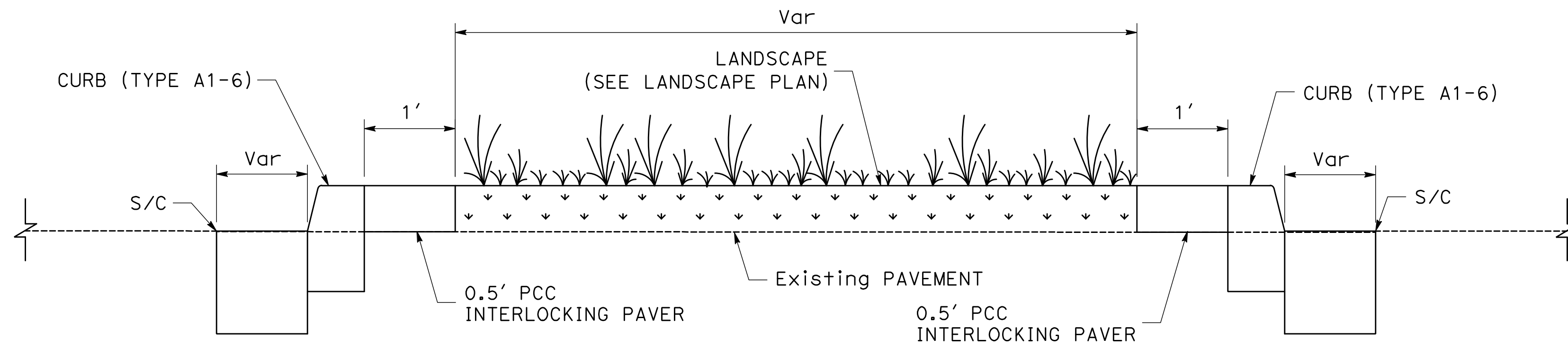
DATE: 3/24/2017
 SCALE: 1"=20'
 DESIGNED BY: J. STREEPER
 DRAWN BY: V. SWAMINATHAN

LAYOUT
 CHARLESTON-ARASTRADERO CORRIDOR
 CITY OF PALO ALTO, CALIFORNIA

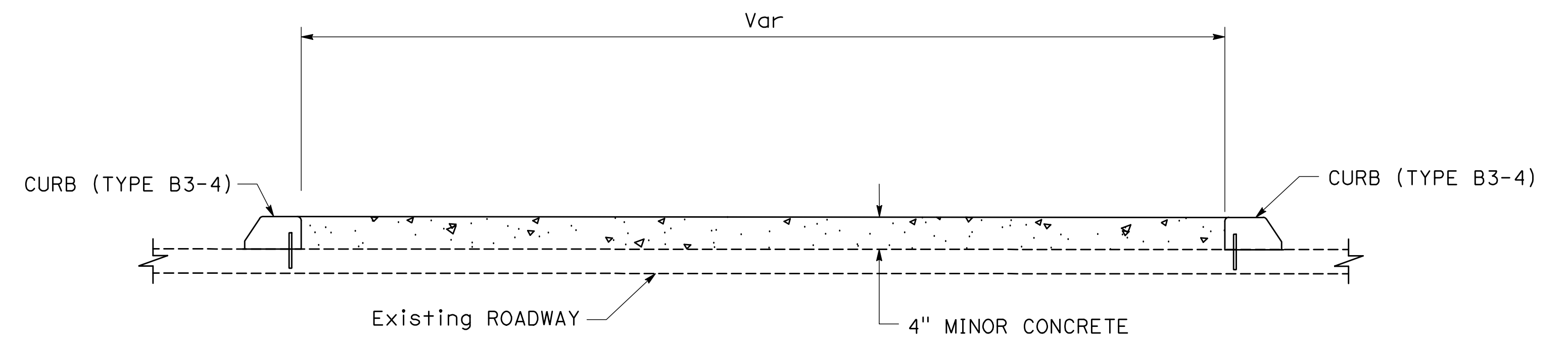
L-27

NOTE:

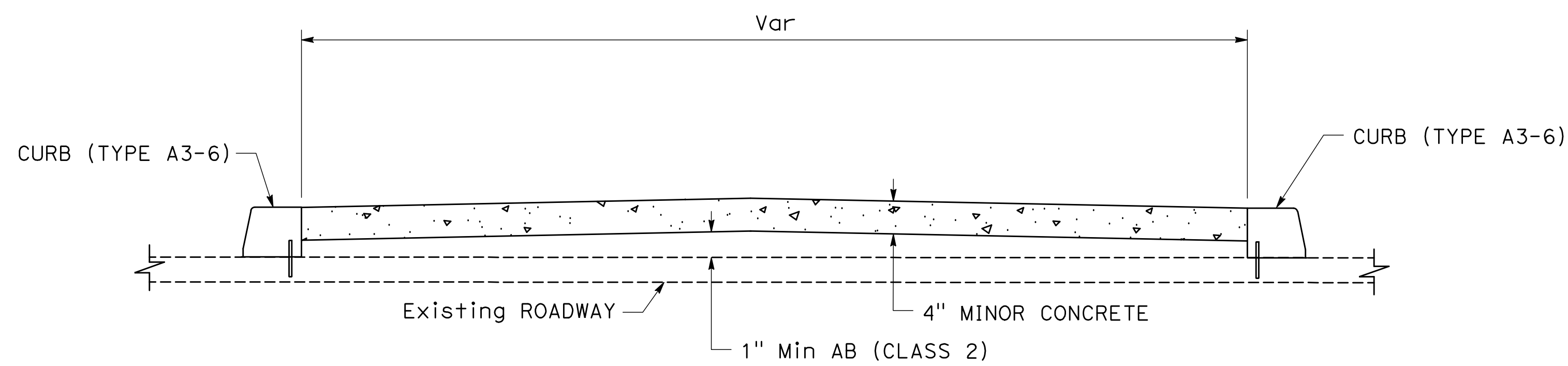
FOR DETAILS OF CONCRETE CURB, REFER TO 2015 CALTRANS STANDARD PLAN A87A.



**MEDIAN ISLAND WITH
CONCRETE CURB (TYPE A1-6)**



**MEDIAN ISLAND WITH
CONCRETE CURB (TYPE B3-4)**



**MEDIAN ISLAND WITH
CONCRETE CURB (TYPE A3-6)**

0 2.5 5
SCALE: 1"=5'

DATE PLOTTED => 23-Mar-17 11:03:03 USERNAME => jtran
TIME PLOTTED => 09:03 FILE => Char-C43-XX.dwg

65% SUBMITTAL

REV	DATE	DESCRIPTION	BY



**MARK
THOMAS**

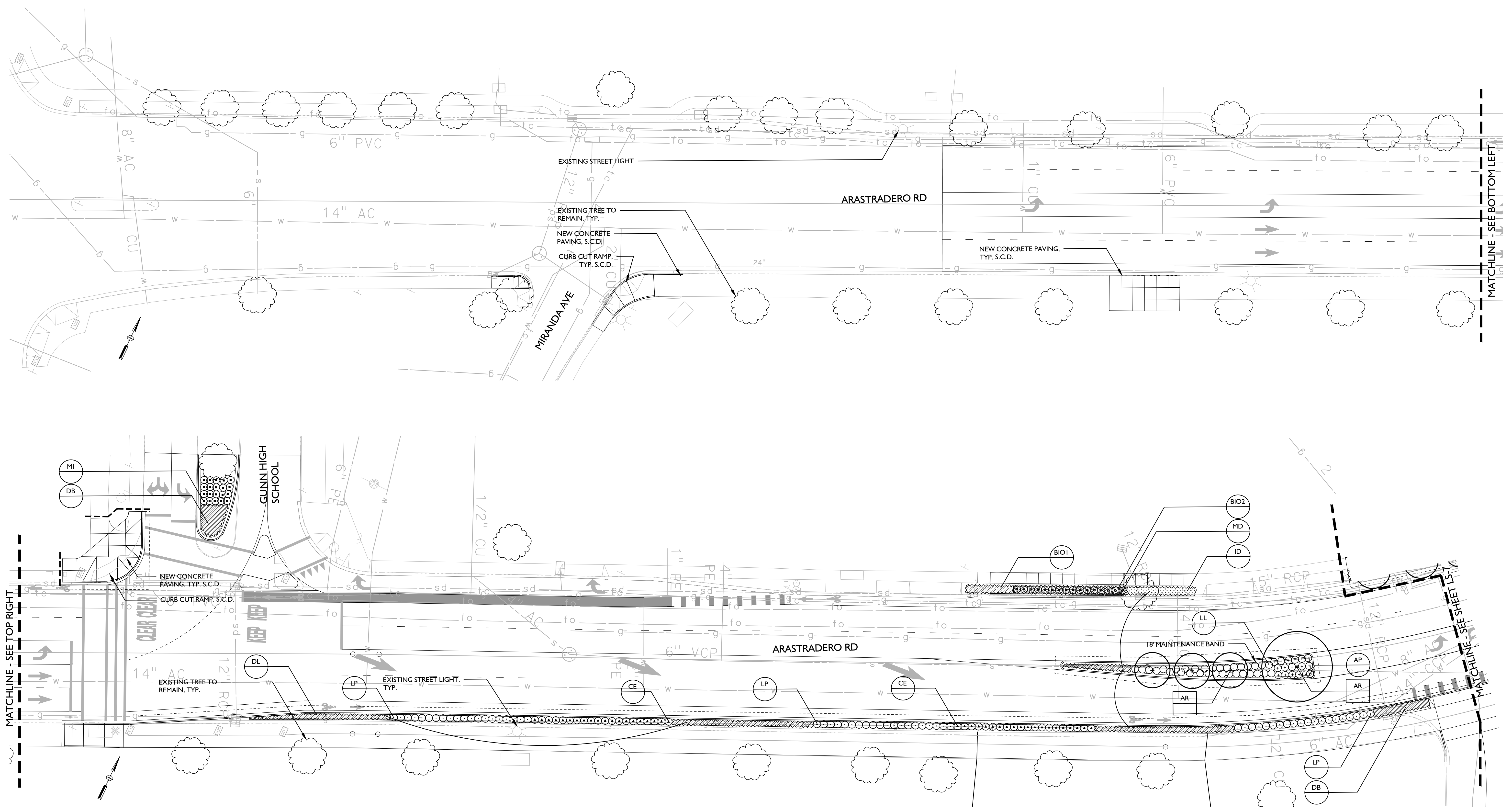


DATE: 3/24/2017
SCALE: 1"=5'
DESIGNED BY: J. STREEPER
DRAWN BY: V. SWAMINATHAN

**CONSTRUCTION DETAILS
CHARLESTON-ARASTRADERO CORRIDOR
CITY OF PALO ALTO, CALIFORNIA**

C-62

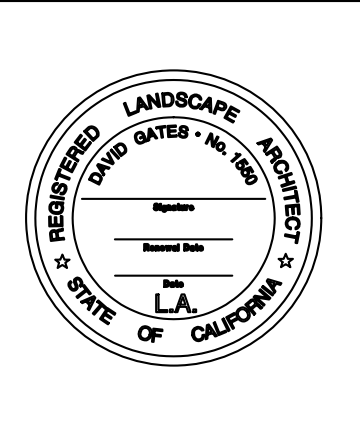
DATE PLOTTED => 21-Mar-17 USERNAME => jingwen
 FILE => _DG-P-CHARLSTON-ARASTRADERO.dwg
 TIME PLOTTED => 12:24



0 10 20
 SCALE: 1"=20'

65% SUBMITTAL

REV	DATE	DESCRIPTION	BY



GATES +ASSOCIATES
 LANDSCAPE ARCHITECTURE
 LAND PLANNING • URBAN DESIGN
 2678 CROW CANYON ROAD, CALIFORNIA 94583
 T 925.738.9176 www.gates.com

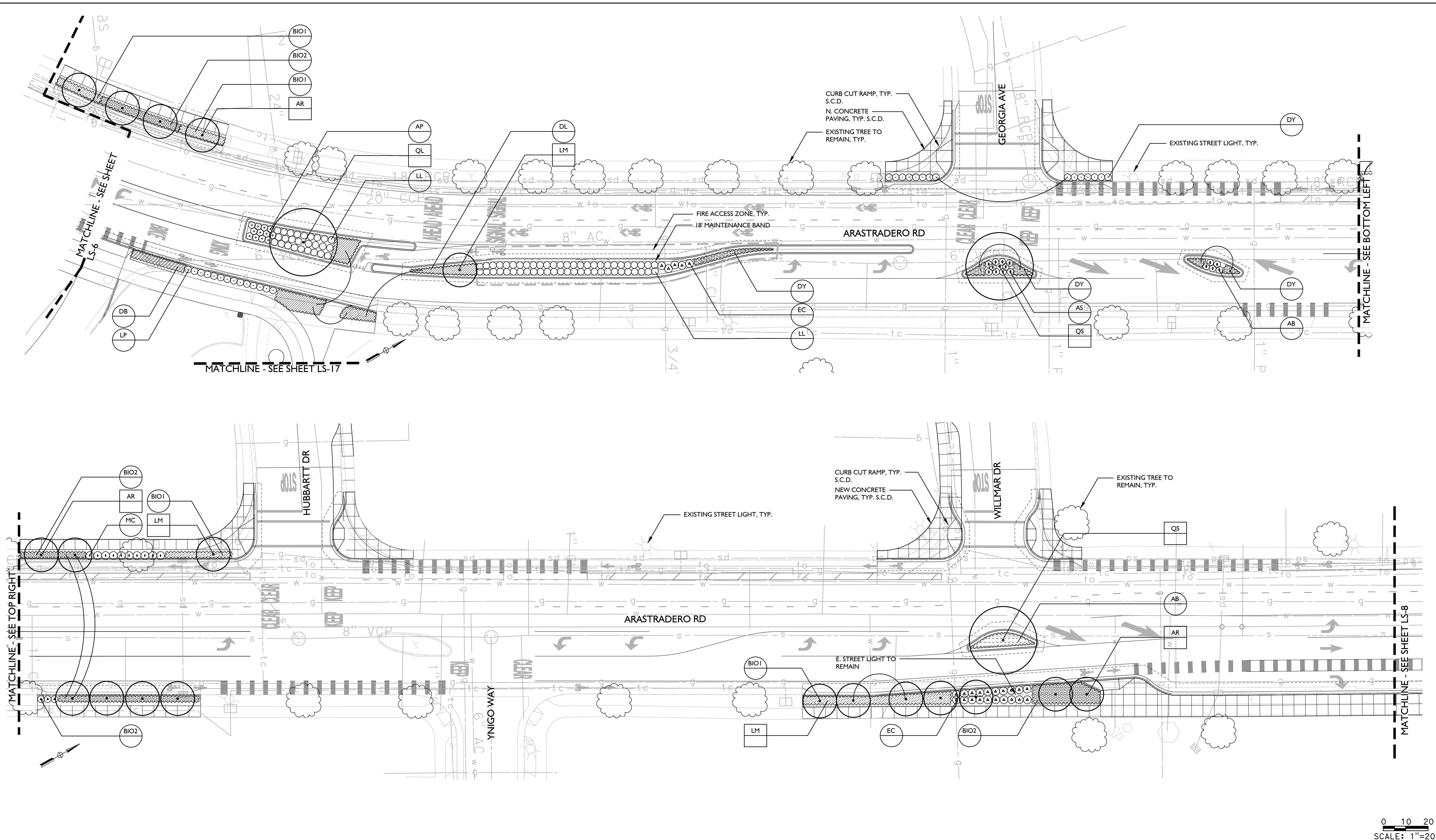


DATE: 3/24/2017
 SCALE: 1"=20'
 DESIGNED BY: L. GATES/K. CHEN
 DRAWN BY: J. GUO/A. MEDINA

PLANTING PLAN
 CHARLESTON-ARASTRADERO CORRIDOR
 CITY OF PALO ALTO, CALIFORNIA

LS-6
 147 OF 175

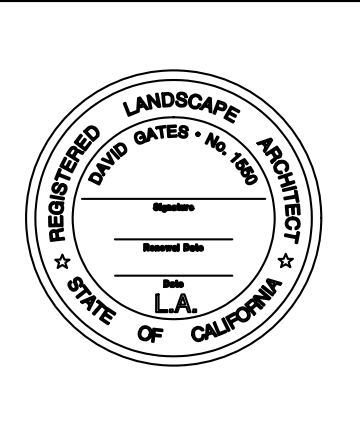
DATE PLOTTED => 21-Mar-17 USERNAME => jingwen
 TIME PLOTTED => 12:25 FILE => _DG-P-CHARLSTON-ARASTRADERO.dwg



0 10 20
 SCALE: 1"=20'

65% SUBMITTAL

REV	DATE	DESCRIPTION	BY

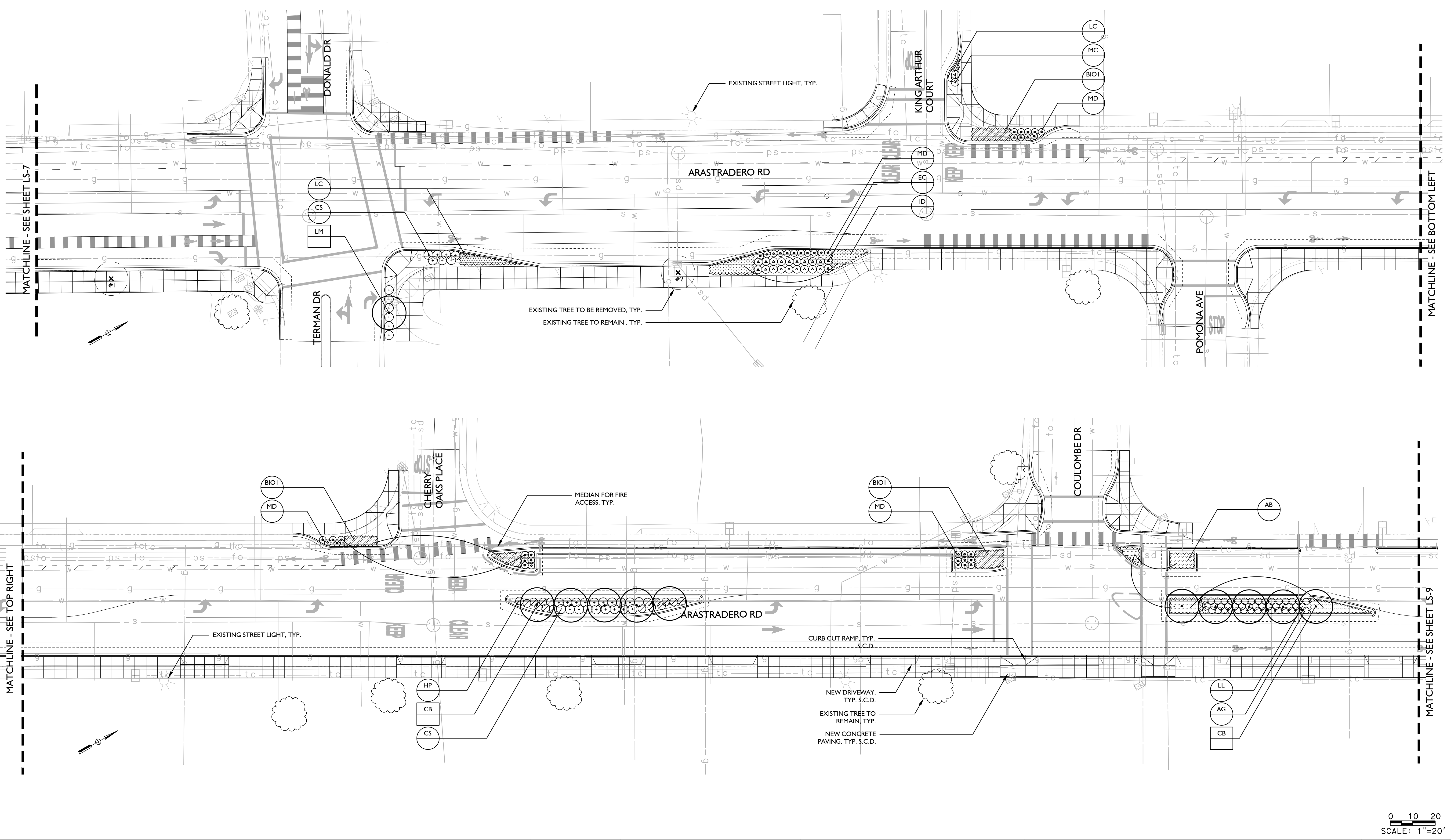


DATE: 3/24/2017
 SCALE: 1"=20'
 DESIGNED BY: L. GATES/K. CHEN
 DRAWN BY: J. GUO/A. MEDINA

PLANTING PLAN
 CHARLESTON-ARASTRADERO CORRIDOR
 CITY OF PALO ALTO, CALIFORNIA

LS-7
 148 OF 175

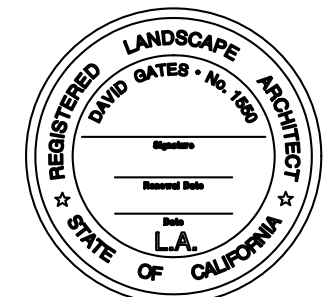
DATE PLOTTED => 21-Mar-17 USERNAME => jingwen
 FILE => _DG-P-CHARLSTON-ARASTRADERO.dwg
 TIME PLOTTED => 12:26



0 10 20
 SCALE: 1"=20'

65% SUBMITTAL

REV	DATE	DESCRIPTION	BY



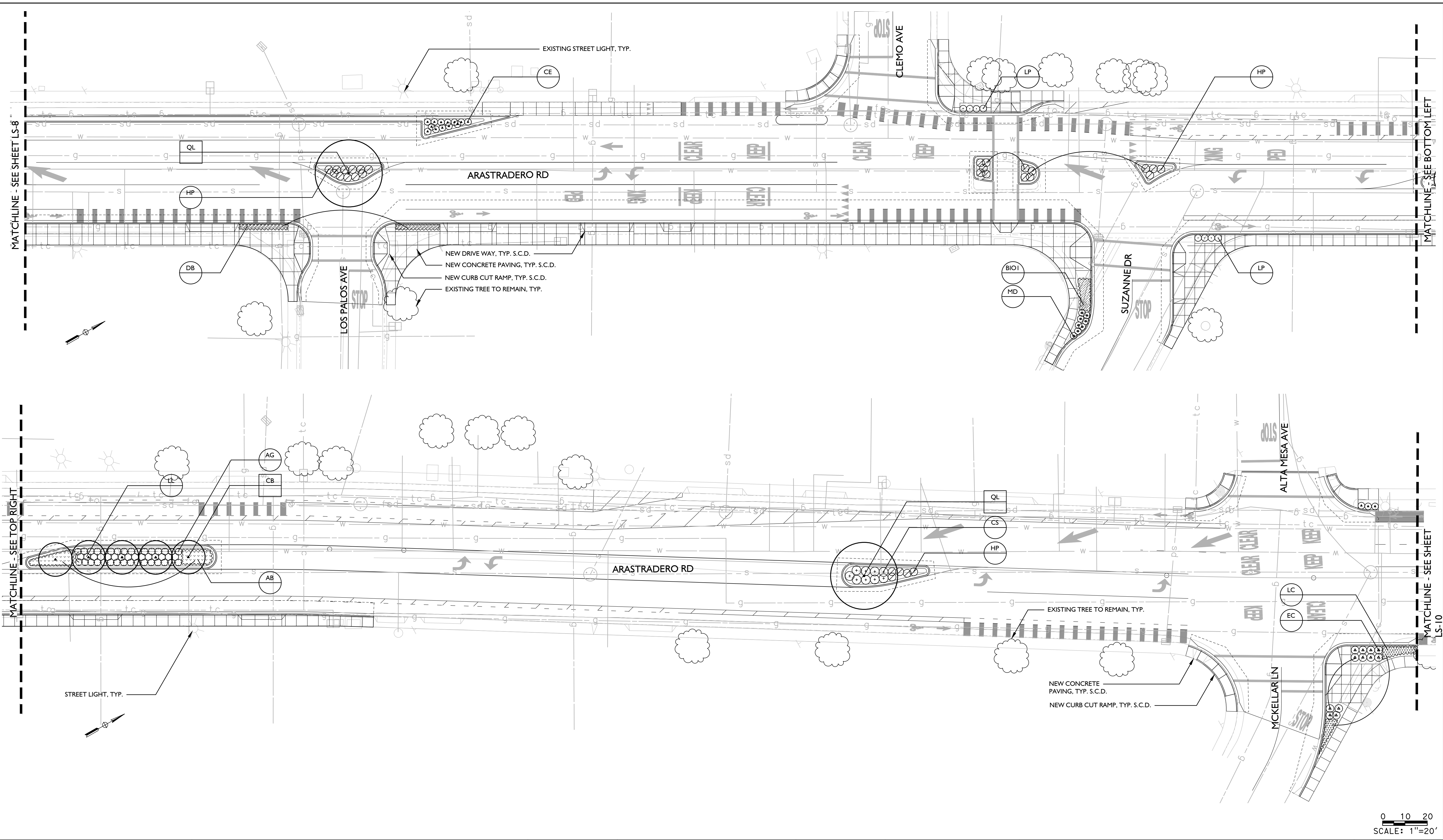
DATE: 3/24/2017
 SCALE: 1"=20'
 DESIGNED BY: L. GATES/K. CHEN
 DRAWN BY: J. GUO/A. MEDINA

PLANTING PLAN
 CHARLESTON-ARASTRADERO CORRIDOR
 CITY OF PALO ALTO, CALIFORNIA

LS-8

149 OF 175

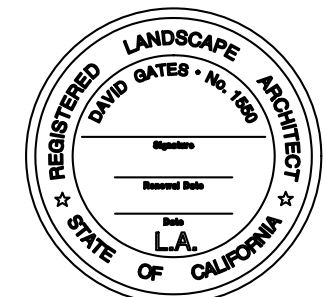
DATE PLOTTED => 21-Mar-17 USERNAME => jingwen
 TIME PLOTTED => 12:27 FILE => _DG-P-CHARLSTON-ARASTRADERO.dwg



0 10 20
 SCALE: 1"=20'

65% SUBMITTAL

REV	DATE	DESCRIPTION	BY

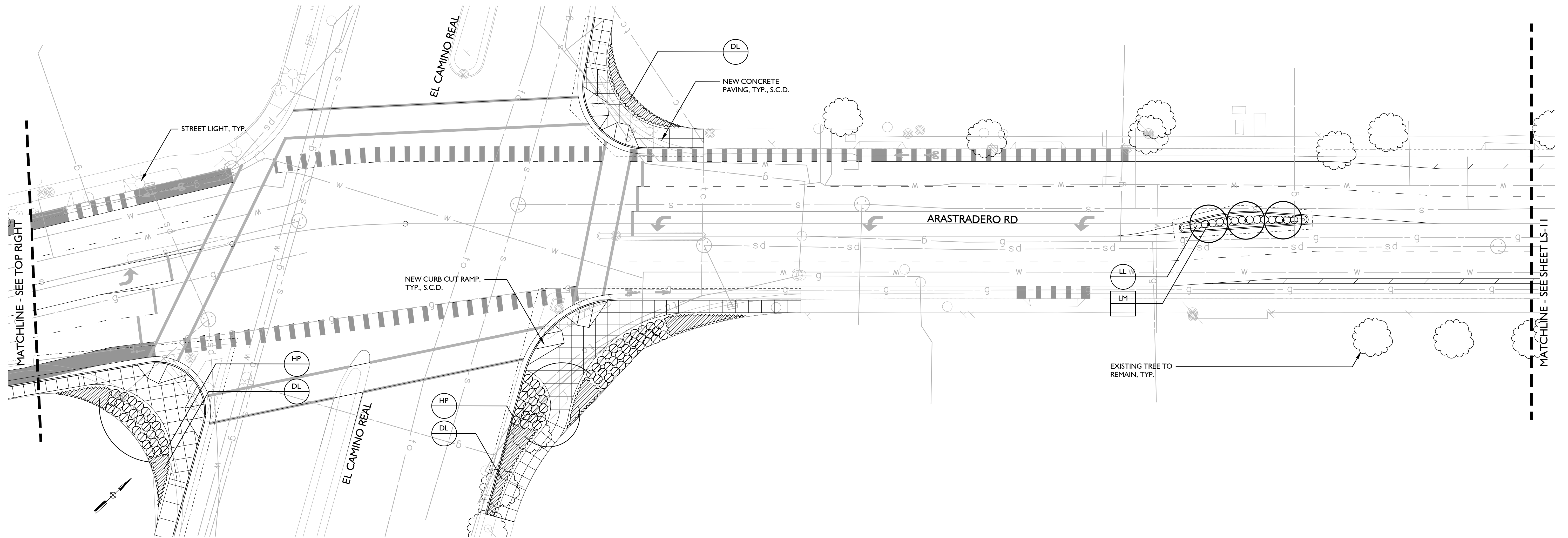
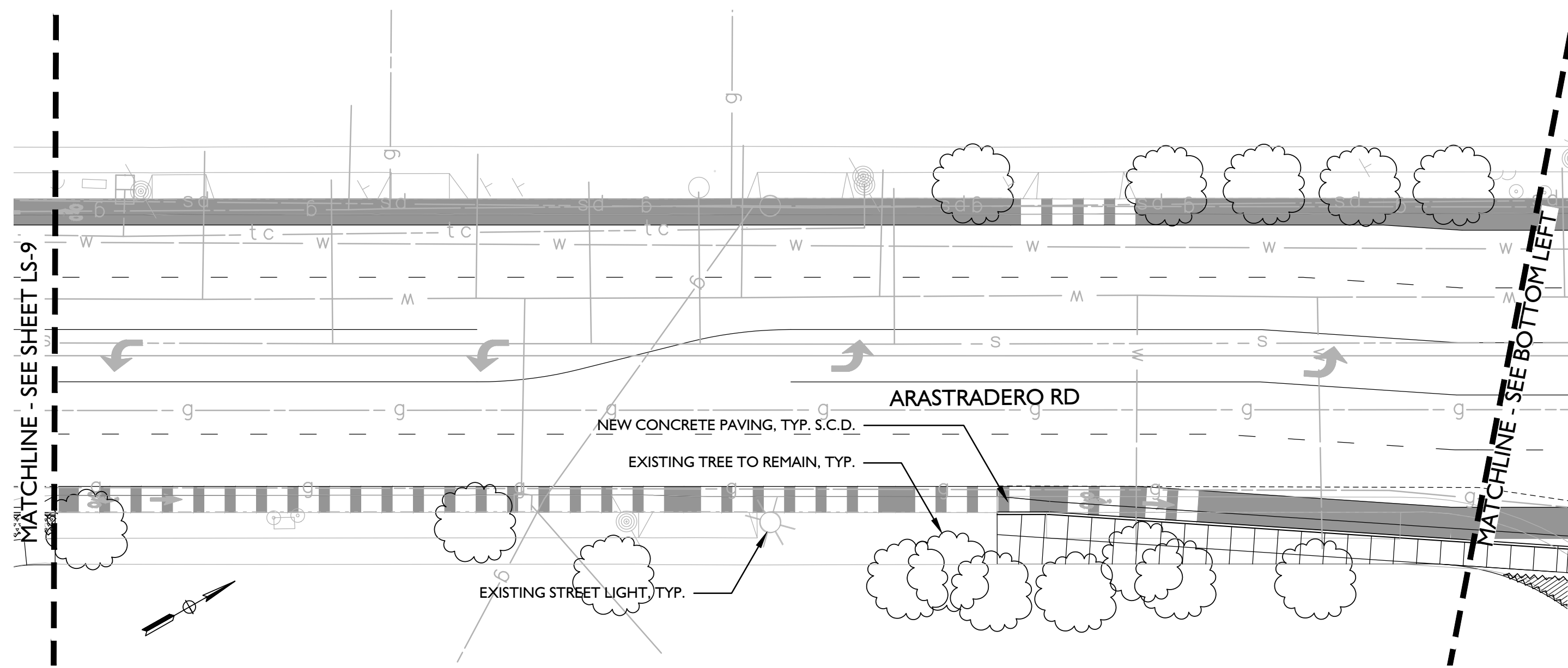


DATE: 3/24/2017
 SCALE: 1"=20'
 DESIGNED BY: L. GATES/K. CHEN
 DRAWN BY: J. GUO/A. MEDINA

PLANTING PLAN
 CHARLESTON-ARASTRADERO CORRIDOR
 CITY OF PALO ALTO, CALIFORNIA

LS-9
 150 OF 175

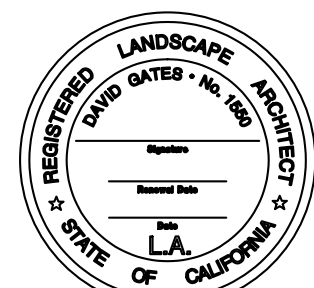
DATE PLOTTED => 21-Mar-17 USERNAME => jingwen
 FILE => _DG-P-CHARLSTON-ARASTRADERO.dwg
 TIME PLOTTED => 12:27



0 10 20
 SCALE: 1"=20'

65% SUBMITTAL

REV	DATE	DESCRIPTION	BY



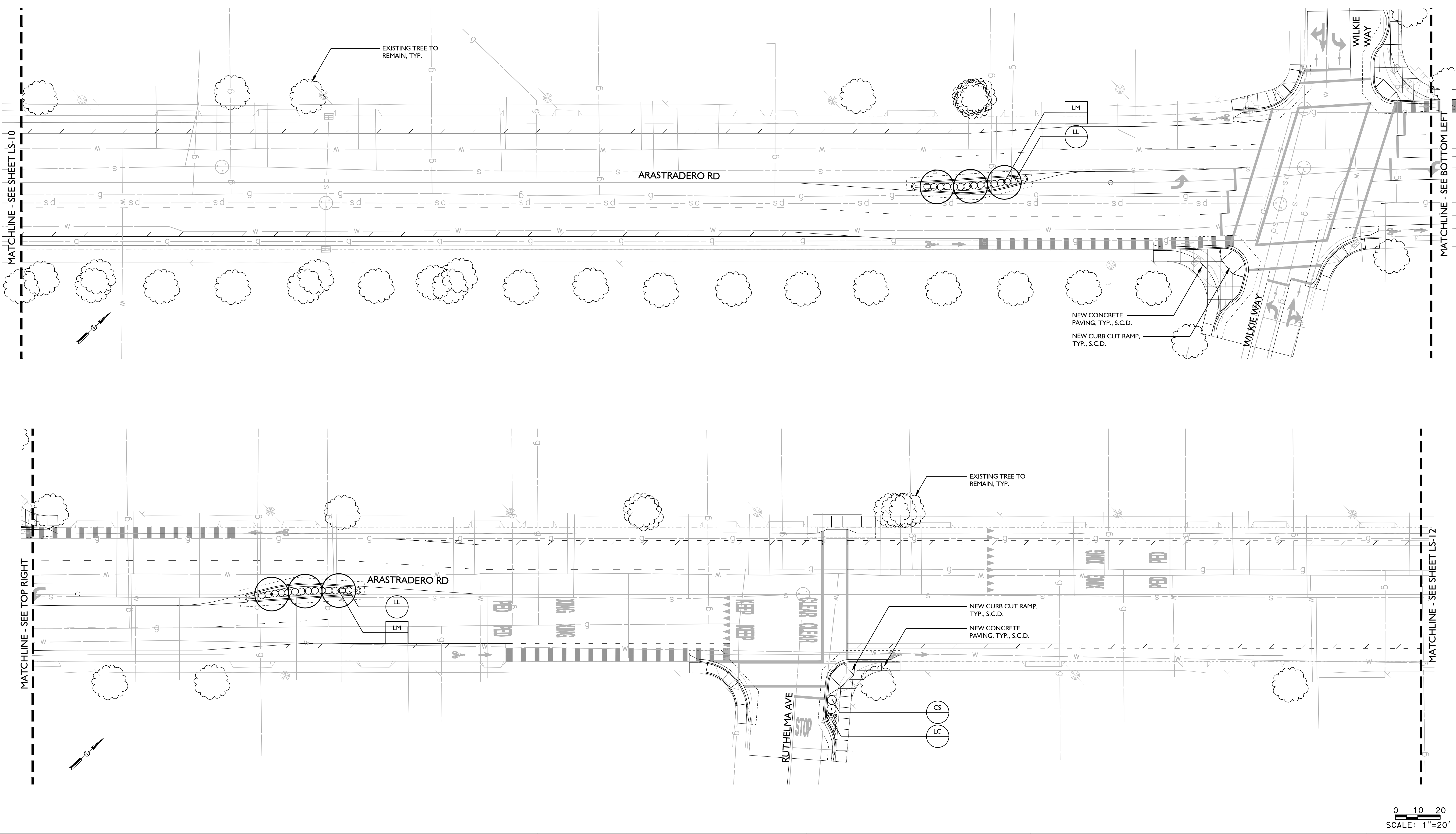
DATE: 3/24/2017
 SCALE: 1"=20'
 DESIGNED BY: L. GATES/K. CHEN
 DRAWN BY: J. GUO/A. MEDINA

PLANTING PLAN
 CHARLESTON-ARASTRADERO CORRIDOR
 CITY OF PALO ALTO, CALIFORNIA

LS-10

151 OF 175

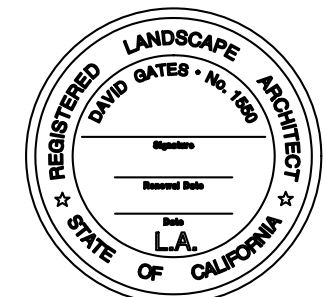
DATE PLOTTED => 21-Mar-17 USERNAME => jingwen
 FILE => _DG-P-CHARLSTON-ARASTRADERO.dwg
 TIME PLOTTED => 12:28



0 10 20
 SCALE: 1"=20'

65% SUBMITTAL

REV	DATE	DESCRIPTION	BY



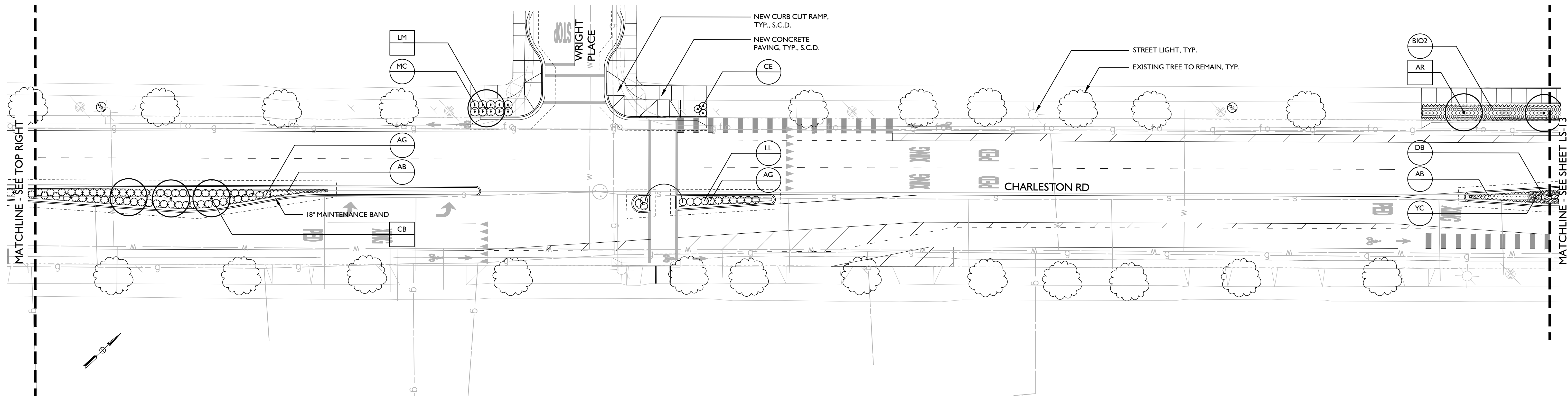
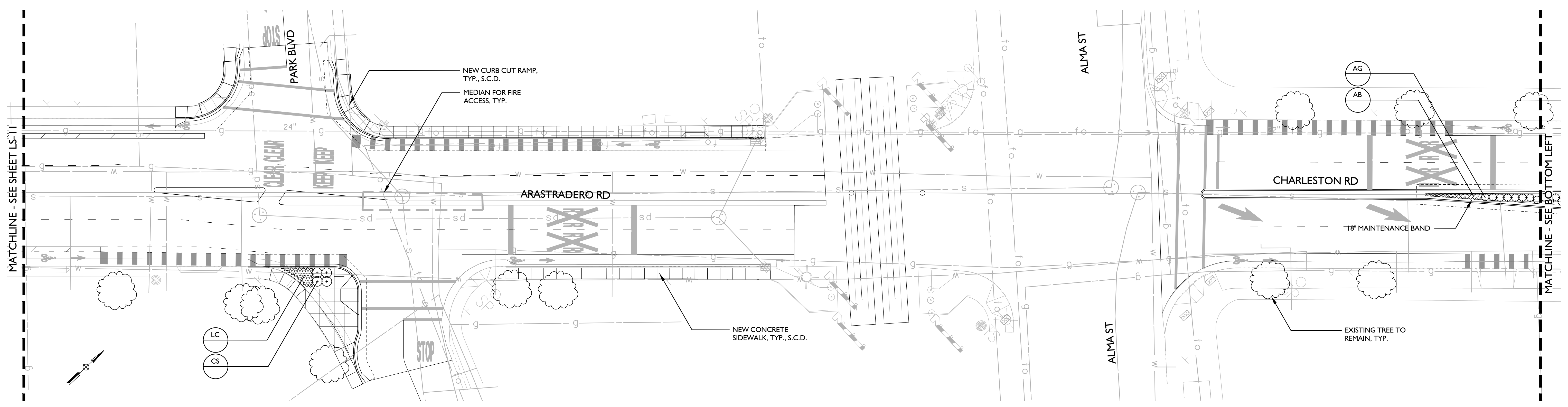
DATE: 3/24/2017
 SCALE: 1"=20'
 DESIGNED BY: L. GATES/K. CHEN
 DRAWN BY: J. GUO/A. MEDINA

PLANTING PLAN
 CHARLESTON-ARASTRADERO CORRIDOR
 CITY OF PALO ALTO, CALIFORNIA

LS-11

152 OF 175

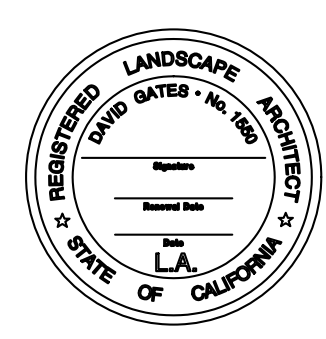
DATE PLOTTED => 21-Mar-17 USERNAME => jingwen
 FILE => _DG-P-CHARLSTON-ARASTRADERO.dwg
 TIME PLOTTED => 12:29



0 10 20
 SCALE: 1"=20'

65% SUBMITTAL

REV	DATE	DESCRIPTION	BY



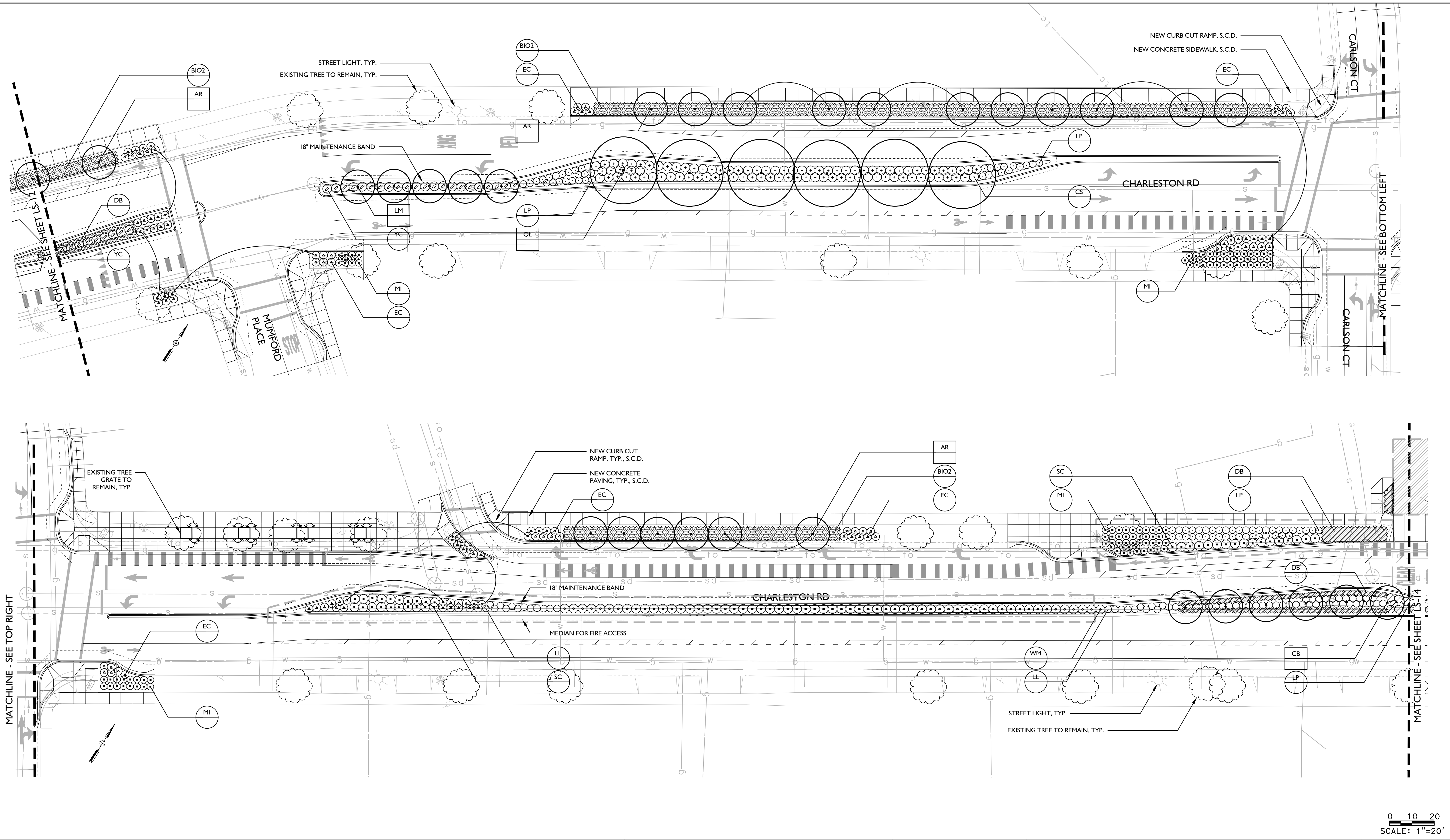
DATE: 3/24/2017
 SCALE: 1"=20'
 DESIGNED BY: L. GATES/K. CHEN
 DRAWN BY: J. GUO/A. MEDINA

PLANTING PLAN
 CHARLESTON-ARASTRADERO CORRIDOR
 CITY OF PALO ALTO, CALIFORNIA

LS-12

153 OF 175

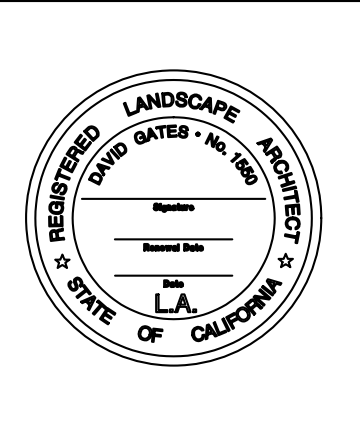
DATE PLOTTED => 21-Mar-17 USERNAME => jingwen
 TIME PLOTTED => 12:30 FILE => _DG-P-CHARLSTON-ARASTRADERO.dwg



0 10 20
 SCALE: 1"=20'

65% SUBMITTAL

REV	DATE	DESCRIPTION	BY



GATES +ASSOCIATES
 LANDSCAPE ARCHITECTURE
 LAND PLANNING • URBAN DESIGN
 2678 CROW CANYON ROAD, CALIFORNIA 94583
 T 925.738.9176 www.gates.com

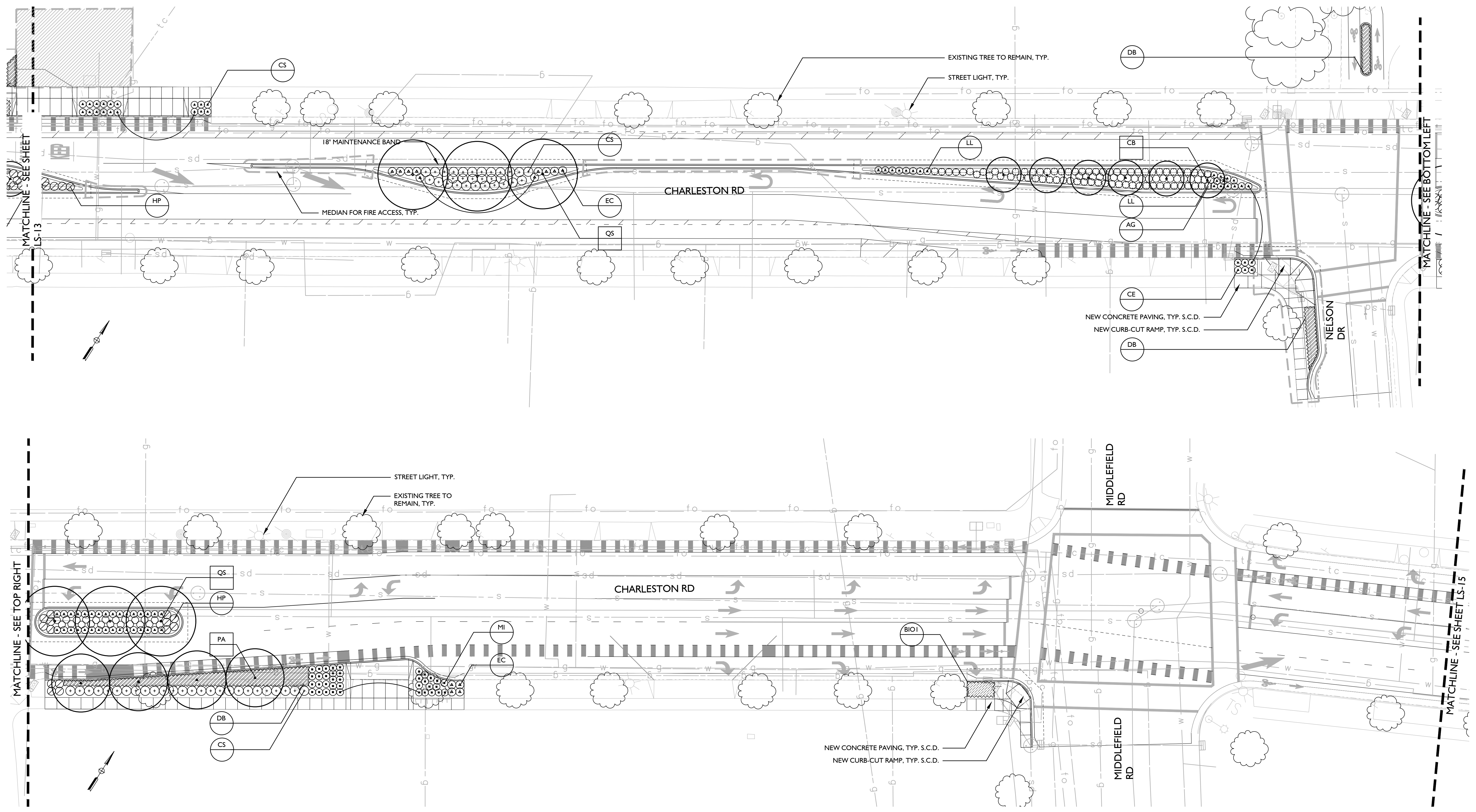


DATE: 3/24/2017
 SCALE: 1"=20'
 DESIGNED BY: L. GATES/K. CHEN
 DRAWN BY: J. GUO/A. MEDINA

PLANTING PLAN
 CHARLESTON-ARASTRADERO CORRIDOR
 CITY OF PALO ALTO, CALIFORNIA

LS-13
 154 OF 175

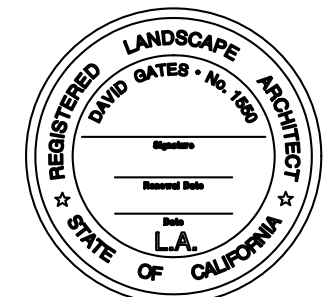
DATE PLOTTED => 21-Mar-17 USERNAME => jingwen
 FILE => _DG-P-CHARLSTON-ARASTRADERO.dwg
 TIME PLOTTED => 12:31



0 10 20
 SCALE: 1"=20'

65% SUBMITTAL

REV	DATE	DESCRIPTION	BY

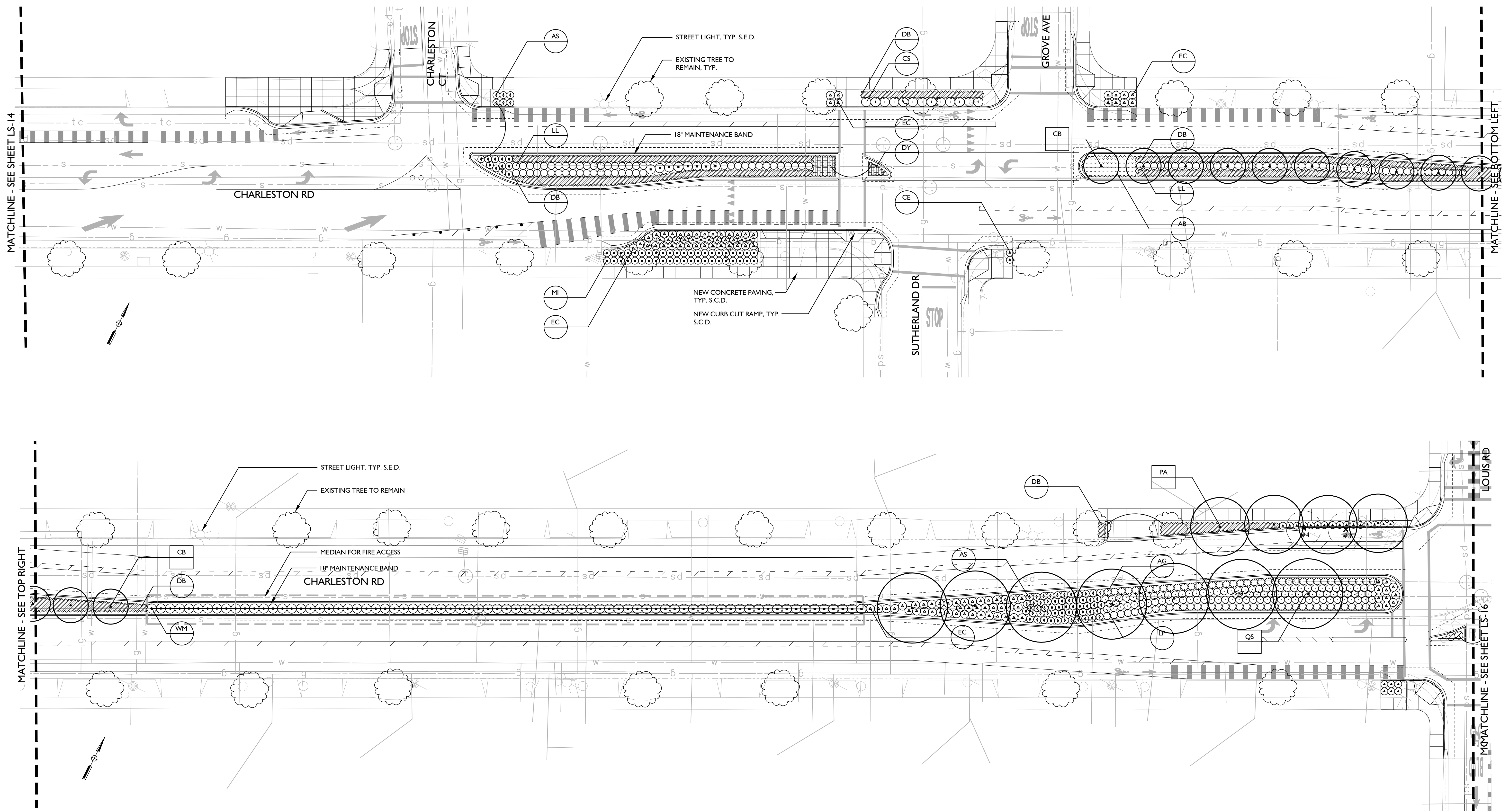


DATE: 3/24/2017
 SCALE: 1"=20'
 DESIGNED BY: L. GATES/K. CHEN
 DRAWN BY: J. GUO/A. MEDINA

PLANTING PLAN
 CHARLESTON-ARASTRADERO CORRIDOR
 CITY OF PALO ALTO, CALIFORNIA

LS-14

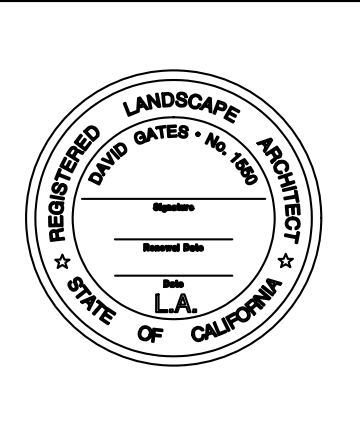
DATE PLOTTED => 21-Mar-17 USERNAME => jingwen
 TIME PLOTTED => 12:32 FILE => _DG-P-CHARLSTON-ARASTRADERO.dwg



0 10 20
 SCALE: 1"=20'

65% SUBMITTAL

REV	DATE	DESCRIPTION	BY

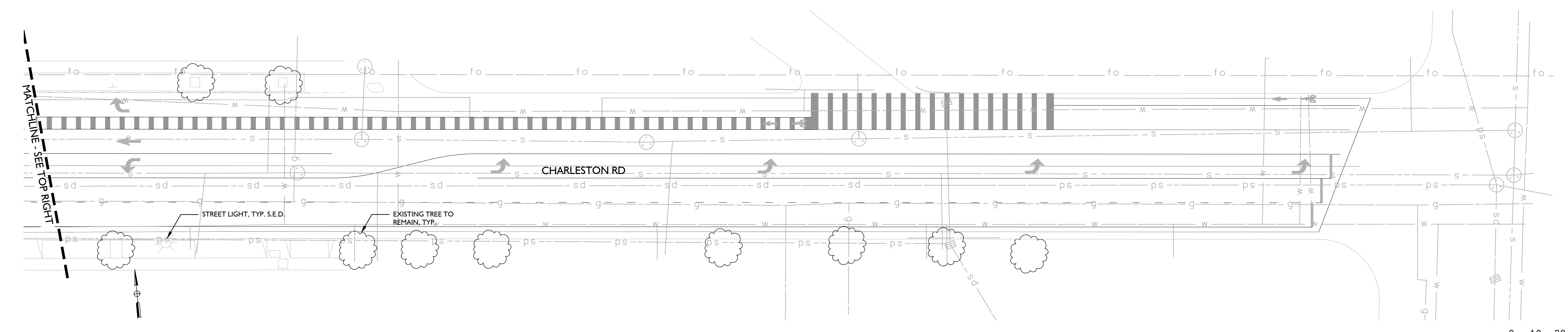
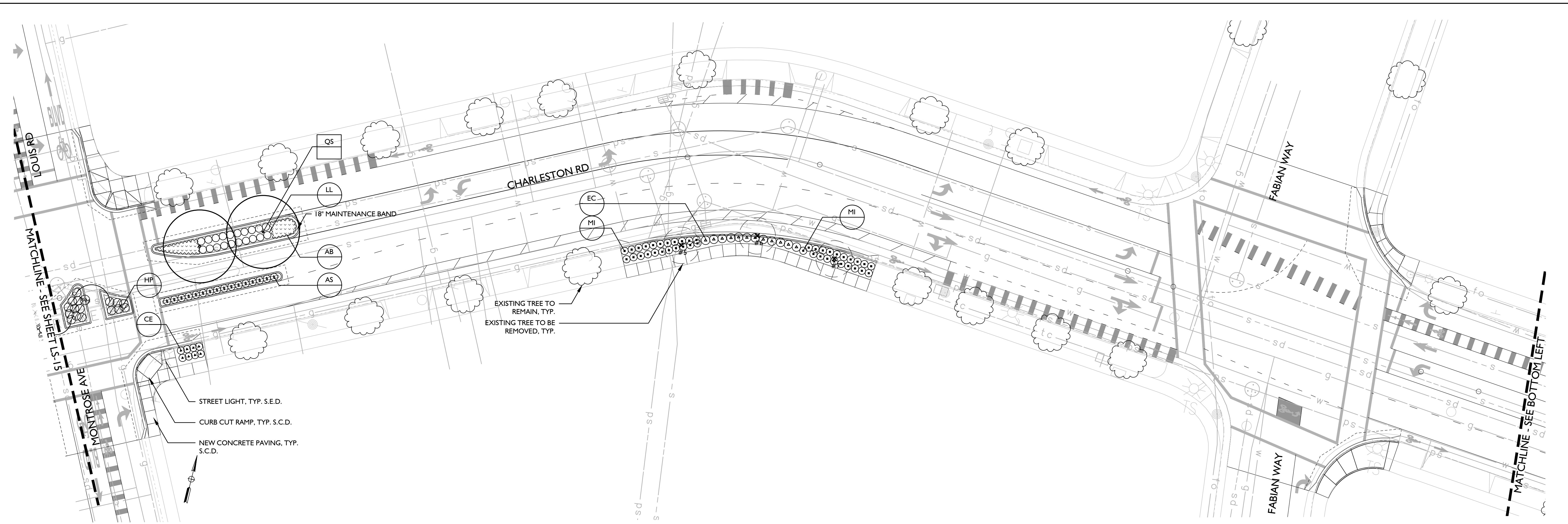


DATE: 3/24/2017
 SCALE: 1"=20'
 DESIGNED BY: L. GATES/K. CHEN
 DRAWN BY: J. GUO/A. MEDINA

PLANTING PLAN
 CHARLESTON-ARASTRADERO CORRIDOR
 CITY OF PALO ALTO, CALIFORNIA

LS-15
 156 OF 175

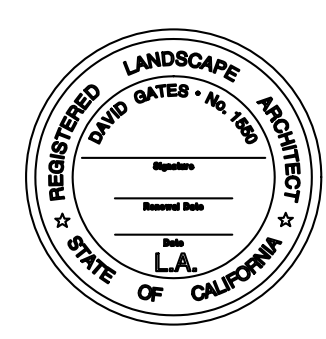
DATE PLOTTED => 21-Mar-17 USERNAME => jingwen
 TIME PLOTTED => 12:32 FILE => _DG-P-CHARLSTON-ARASTRADERO.dwg



0 10 20
 SCALE: 1"=20'

65% SUBMITTAL

REV	DATE	DESCRIPTION	BY



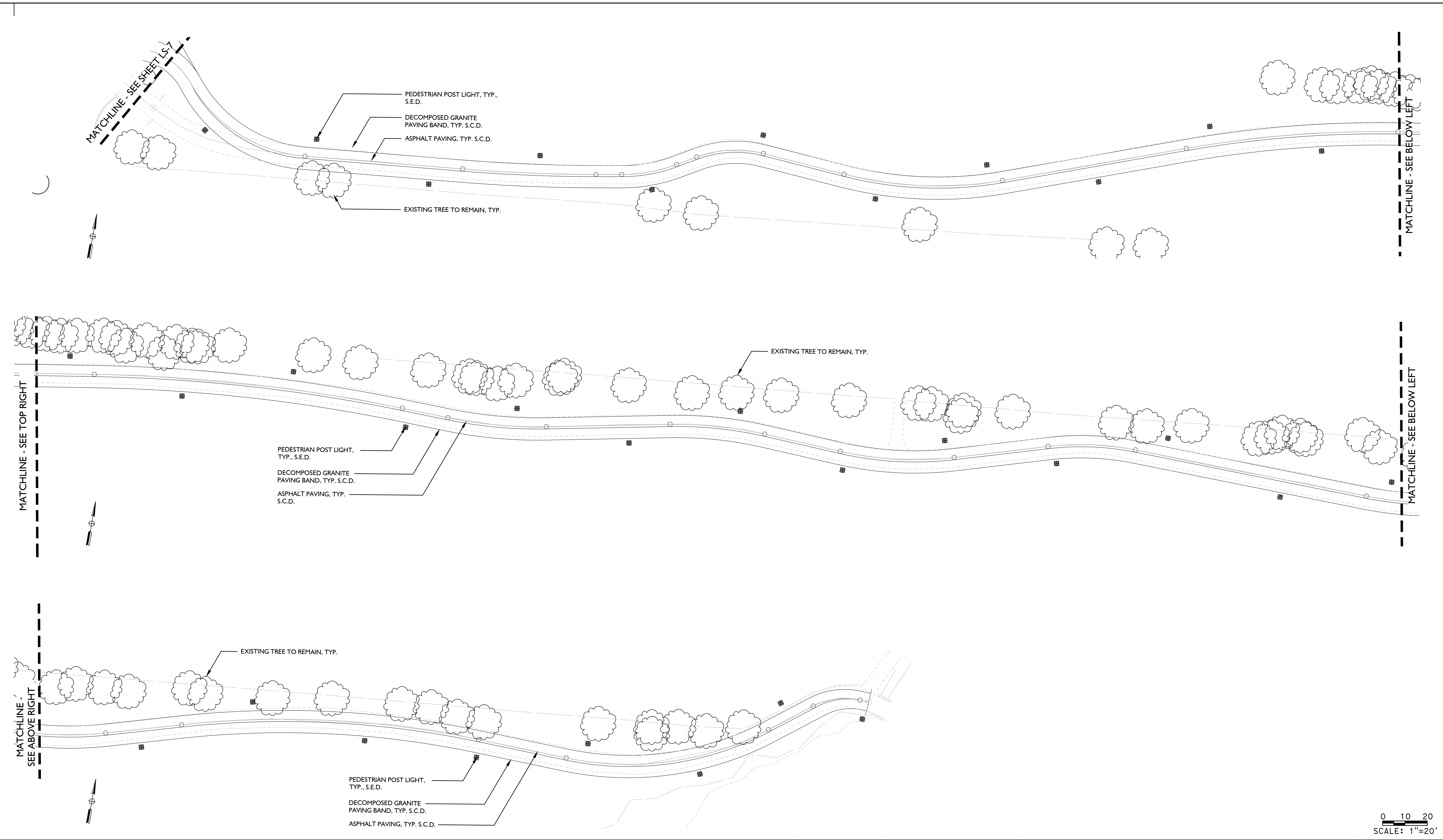
DATE: 3/24/2017
 SCALE: 1"=20'
 DESIGNED BY: L. GATES/K. CHEN
 DRAWN BY: J. GUO/A. MEDINA

PLANTING PLAN
 CHARLESTON-ARASTRADERO CORRIDOR
 CITY OF PALO ALTO, CALIFORNIA

LS-16

157 OF 175

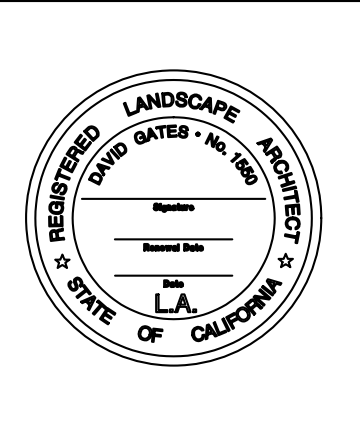
DATE PLOTTED => 21-Mar-17 USERNAME => jingwen
 FILE => _DG-P-CHARLSTON-ARASTRADERO.dwg
 TIME PLOTTED => 12:34



0 10 20
 SCALE: 1"=20'

65% SUBMITTAL

REV	DATE	DESCRIPTION	BY



GATES +ASSOCIATES
 LANDSCAPE ARCHITECTURE
 LAND PLANNING • URBAN DESIGN
 2678 CROW CANYON ROAD, CALIFORNIA 94583
 T 925.738.9176 www.gates.com



DATE: 3/24/2017
 SCALE: 1"=20'
 DESIGNED BY: L. GATES/K. CHEN
 DRAWN BY: J. GUO/A. MEDINA

PLANTING PLAN
 CHARLESTON-ARASTRADERO CORRIDOR
 CITY OF PALO ALTO, CALIFORNIA

LS-17
 158 OF 175