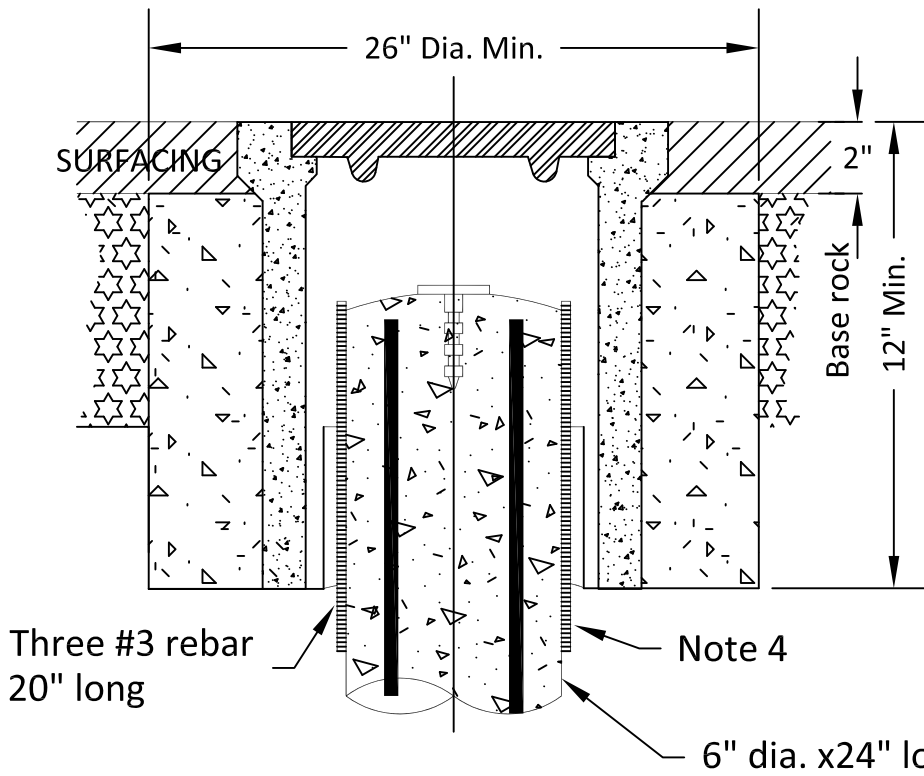


SECTION A-A

NOTES:

1. Box shall be a G5 Traffic Valve box 10-3/8" I.D. x 12" and Lid shall have the word "MONUMENT" marked on it.
2. Class 2 concrete or better, poured in place.
3. Solid brass monument market with 2: dia. cap and 2 3/4" shank; Lietz No. 526 or approved equal. Top of monument to be 4" maximum below street surface. For marking, see Note 5 (Surveyor's Note).
4. Concrete monument shall be constructed using form for upper portion so that concrete in monument does not bond to frame or concrete in which frame is set.
5. **Surveyor's Note**
Exact point to be determined by accurate survey and clearly punched in top of brass market together with Engineer's/Surveyor's registration number.



Three #3 rebar
20" long

Note 4


6" dia. x 24" long concrete monument (Note 2)

Rev	By	Date
0	DWH	12/14/92
1	HQN	10/16/06

Scale: NTS

Survey Monument
Frame, Cover, Installation

City of Palo Alto Standard

Approved by: 

PE No. 72158
Date 01/10/18

Dwg No. 701