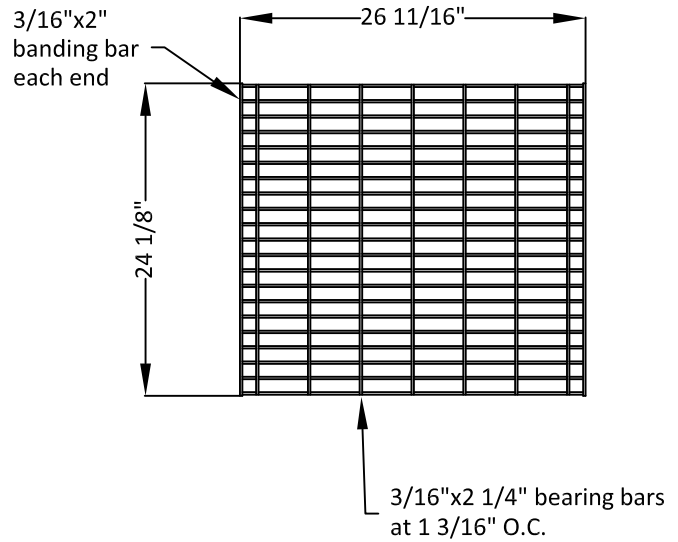
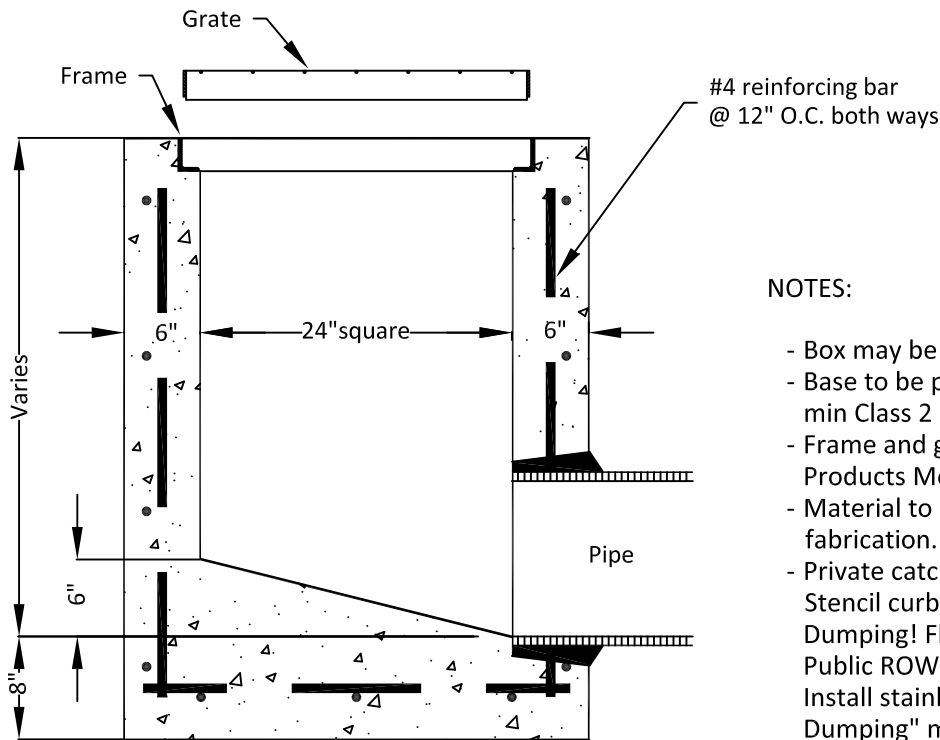


FRAME DETAIL



GRATE DETAIL



NOTES:


- Box may be poured in place or pre-cast
- Base to be poured on undisturbed earth or 6" min Class 2 aggregate base.
- Frame and grate shall be Santa Rosa Cast Products Model 2K (Heavy) or approved equal.
- Material to be hot dipped galvanized after fabrication.
- Private catch basins:
Stencil curb adjacent to catch basin with " No Dumping! Flows to [creek-name] message"
- Public ROW catch basins:
Install stainless steel medallion with "No Dumping" message provided by the City.

Rev	By	Date
	DWH	
1	RTN	06/08/17

Scale: NTS

Catch Basin
Away from Curb

City of Palo Alto Standard

Approved by: 

PE No. 72158
Date 01/10/18

Dwg No. 304