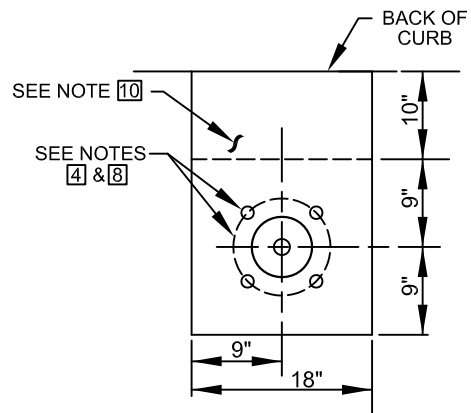
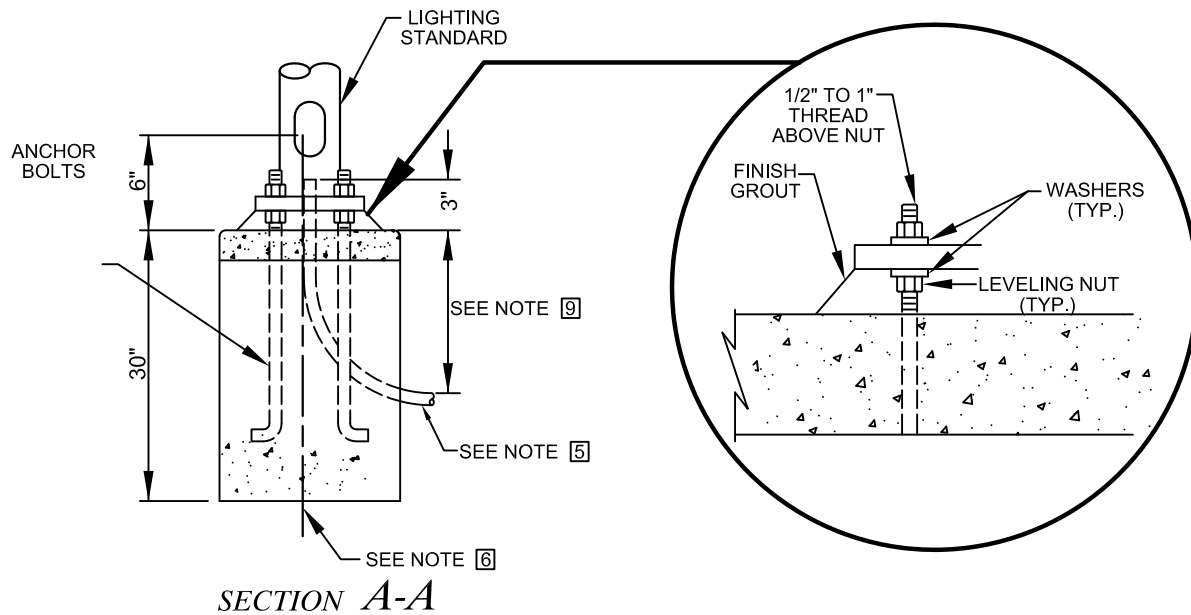


10'-14' MOUNTING HEIGHT
ADJACENT TO SIDEWALK




10'-14' MOUNTING HEIGHT
ADJACENT TO CURB



SECTION A-A

NOTES:

1. STOP FOUNDATION POUR 6" BELOW GRADE. PLACE FINISH CAP AFTER STANDARD IS SET AND PLUMBED. ALLOW FOR 2" UNDER STANDARD BASE AND GROUT UNDER BASE(SEE DETAIL)
2. CONCRETE IN FOUNDATION SHALL BE CLASS "B"
3. TOP 6" OF FOUNDATION MUST BE POURED AFTER POLE IS MOUNTED AND PLUMBED.
4. BOLT CIRCLE DIA. TO BE USED IS TO MATCH SUPPLIED POLE.
5. UNLESS OTHERWISE NOTED, ALL CONDUITS SHALL BE P.V.C. 2" MINIMUM.
6. ALL FOUNDATIONS REQUIRE 5/8" X 8' GROUND ROD. FOR GROUNDING SYSTEM SEE ELECTRIC UTILITY STANDARD DWG. DT-SS-U-1001 SHEET 2.
7. ALL FOUNDATIONS SHALL BE POURED AGAINST UNDISTURBED SOIL.
8. 3/4" DIA. X 17" X 3" GALVANIZED STEEL ANCHOR BOLTS WITH TWO HEX NUTS, TWO FLAT WASHERS AND TWO LOCKWASHERS - FOUR EACH REQUIRED PER POLE.
9. AS REQUIRED TO MATCH EXISTING OR NEW STREET LIGHT CONDUIT BEING INSTALLED.
10. THIS AREA REQUIRES ONLY 6" THICKNESS OF CONCRETE.

APPROVED <u>3/1994</u>		ENGINEERING STANDARD		1	5/2013	ADDED DETAIL DRAWING.	JAT
		10' - 14' STREET LIGHT FOUNDATION					
ENGR. MANAGER				REV	DATE	DESCRIPTION	APPR
ENGR	PEV	CITY OF PALO ALTO CALIFORNIA		NTS		SL-SS-C-1021	
DRAWN	UES			SCALE		STANDARD NO.	SHEET NO.
CHCKD.	PEV						