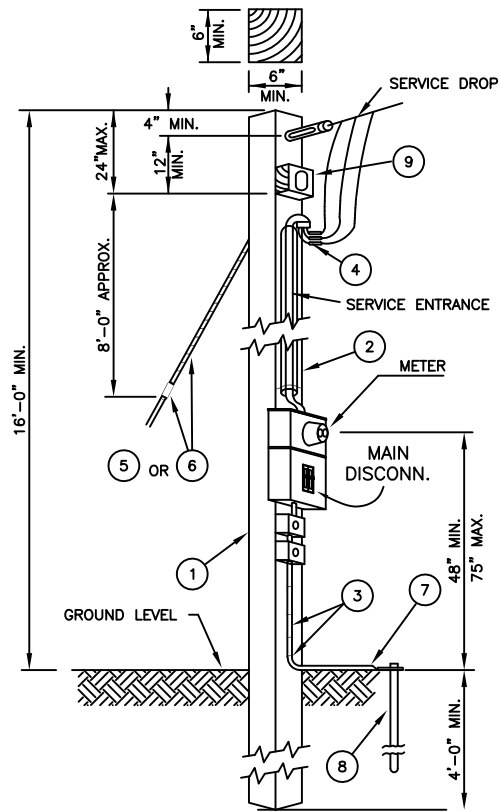


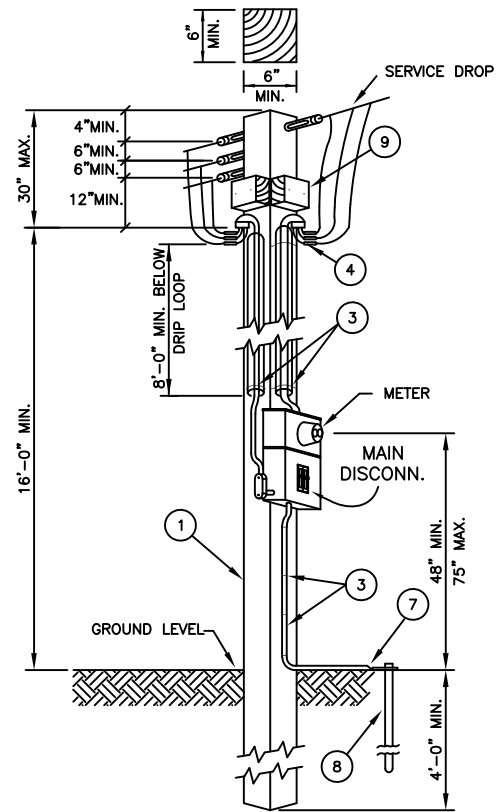
SERVICE DROP CABLE TO RECEPTACLES



NOTES:

1. POLE - 6"X 6"X 20'-0" (MIN. LENGTH)
2. CONDUIT - GALV. RIGID STEEL, EMT, OR PVC SCH 40
3. CONDUIT - GALV. RIGID STEEL WITH PIPE STRAP
4. WIRE, INSULATED, SIZE AS REQ'D. (24" MIN. EXTENSION FROM WEATHERHEAD FOR DRIP LOOP)
5. GUY CABLE - 1/4" MIN. GALV. STEEL WITH GUY STRAIN INSULATOR (10,000 LB. MIN.), ANCHOR AND FITTINGS.
6. PUSH BRACE - TWO 2" X 4" MIN. TIMBER (BOLTED TO POLE) WITH CROSS BRACE.
7. CONDUIT GROUNDING HUB AND CLAMP
8. GROUND - 5/8" X 8' ROD
9. WOOD BLOCK - 4" X 4" X 6"

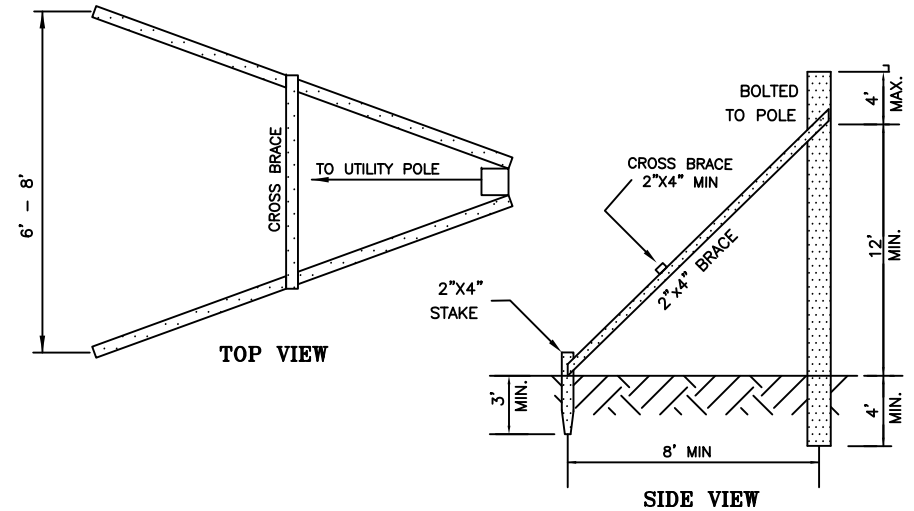
SERVICE DROP CABLE TO OVERHEAD LINE



LOCATE SERVICE POLES SUCH THAT:

- IT IS ON PRIVATE PROPERTY ONLY.
- IT IS AT LEAST 10' BUT NO MORE THAN 100' FROM THE UTILITY POLE.
- THERE IS A CLEAR UNOBSTRUCTED PATH TO THE UTILITY POLE FOR THE SERVICE DROP.
- IT DOES NOT REQUIRE THE SERVICE DROP TO CROSS OVER ANY BUILDINGS OR OTHER PROPERTY.
- CONTACT UTILITIES ELECTRIC ENGINEERING AT (650) 566-4500 IF THERE ARE QUESTIONS ON PLACEMENT.

WOOD BRACE



RECOMMENDED SERVICE ENTRANCE CONDUCTOR

Service Voltage (Volts)	Main Service (Amps)	Customer's Minimum Conduit Size	CPAU Approved Conductor Size	
			AL	CU
120/240 1-phase 3 wire	125	2"	1/0	2
	200	2"	4/0	2/0
120/208 1-phase 3 wire	400*	4"	750	500
	200	2"	4/0	2/0

* Note: Class 320 (Residential only)

APPROVED 12/2006
 Original Signed and Approved by Engineer Manager
 DRAWN BY PEV
 CHECKED BY PEV

ENGINEERING STANDARD
OVERHEAD TEMPORARY SERVICE
 CITY OF PALO ALTO
 CALIFORNIA

4	6/13	REVISED NOTES, 2 BRACES	TT
3	11/08	REVISED	TT
2	12/06	REVISED	TOPETE
1	6/99	REVISED	FINCH
REV	DATE	DESCRIPTION	APPR
NTS	SCALE	SR-TS-0-1006	1 of 1
SCALE	STANDARD NO.		SHEET NO.