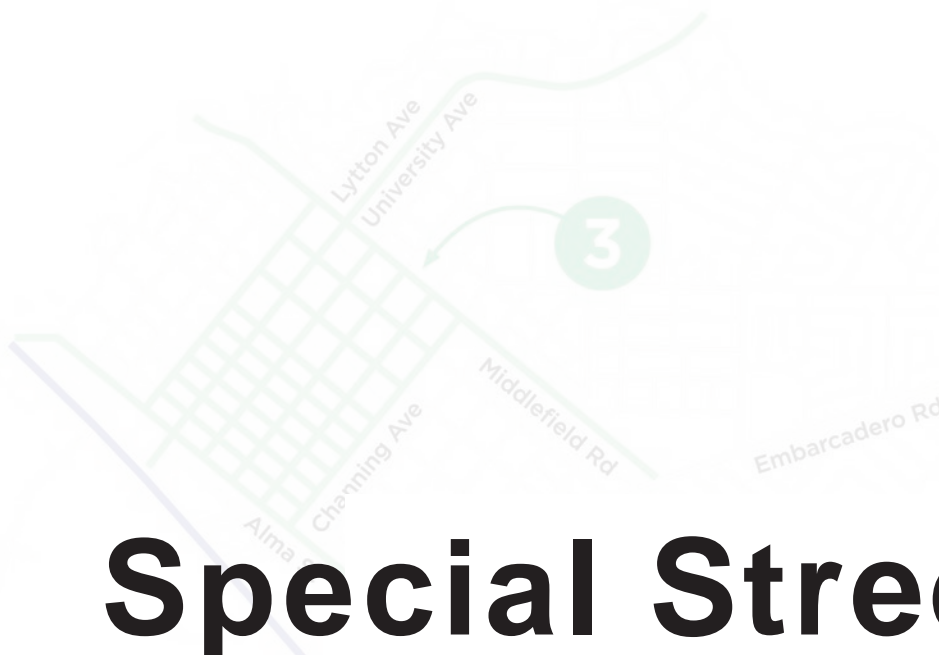
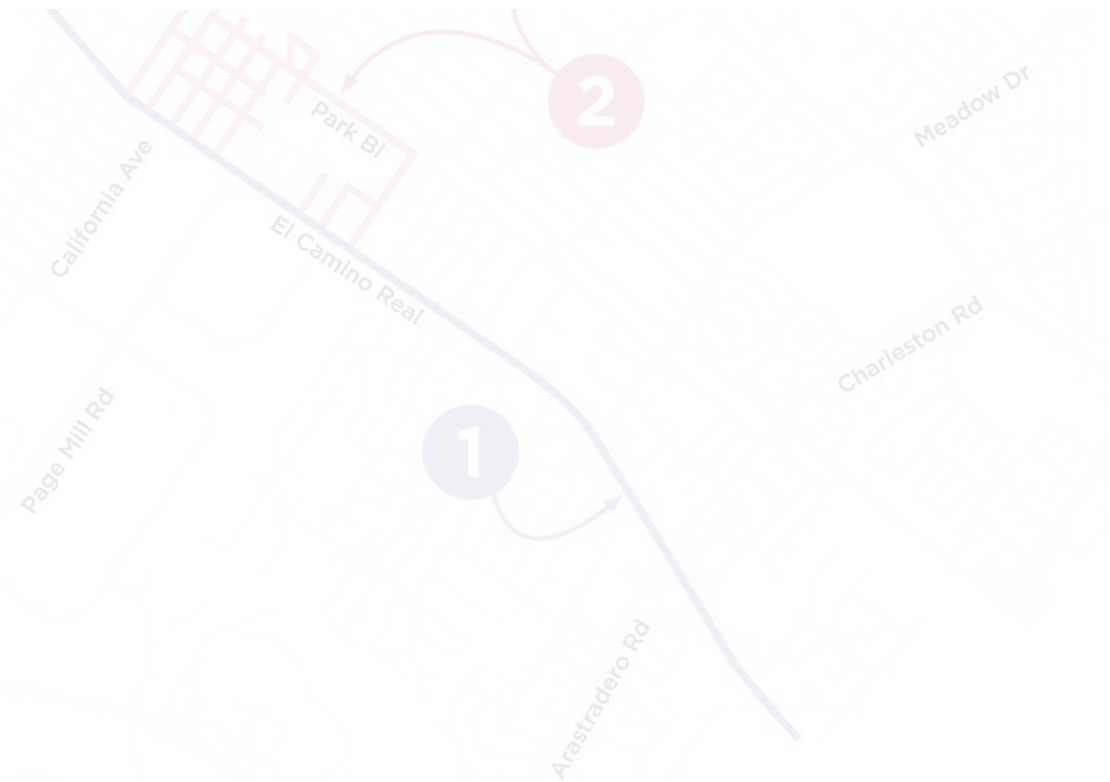


APPROVED
3-12-20



Special Street Light Style Placement Guide



Special Street Light Style Placement Guide

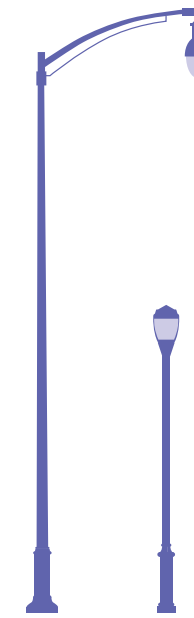
The purpose of this guide is to define the spacial boundaries for the application of decorative roadway and pedestrian scale lighting.

All lighting shown is currently installed at some locations within the corresponding proposed corridors and districts.

Areas of the city not explicitly designated on this guide would utilize city standard aluminum poles and mast arms with LED luminaires.



1



EL CAMINO REAL

The pedestrian scale and roadway lighting installed at the Stanford Avenue and El Camino Real intersection would be utilized along El Camino Real to aid in creating a welcoming sidewalk environment for businesses, shoppers, and residents.

2

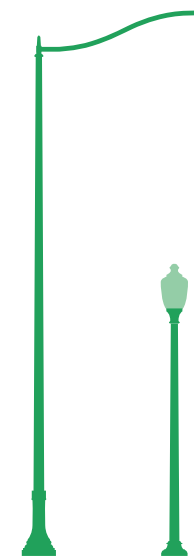


CALIFORNIA-PARK

Use of the roadway and pedestrian scale lighting recently installed on California Avenue would be extended to other streets in the neighborhood to compliment the pedestrian and transit oriented character of the area.

This lighting pair could also be used in the Midtown shopping and commercial area to improve the pedestrian shopping and strolling environment

3



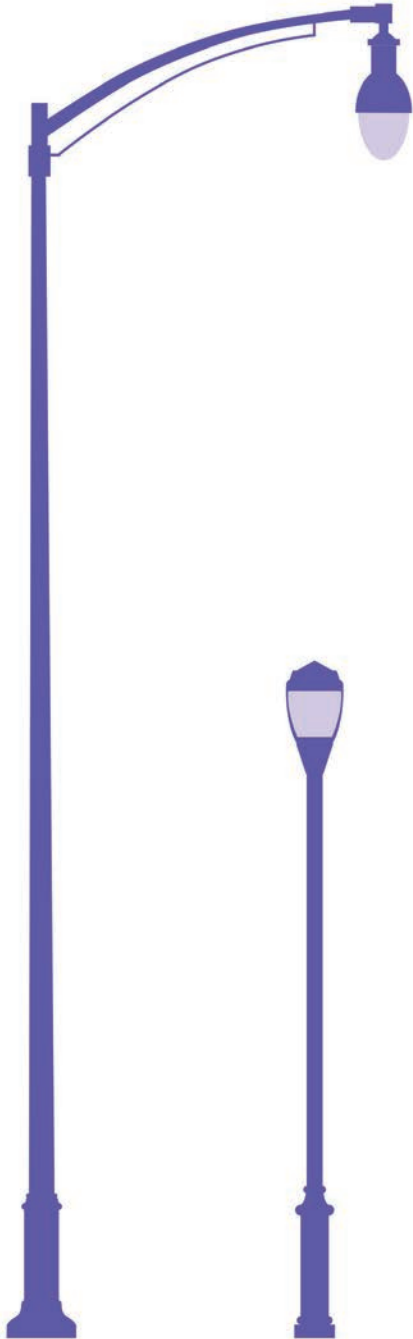
DOWNTOWN

Roadway lighting would use decorative pendant luminaires, similar to existing luminaires within the University Avenue underpass, and along portions of Alma street. The designated pedestrian scale light is the current "Washington" style post-top luminaire and pole.

Decorative lighting would extend beyond the Downtown core along arterial roadways to gateway areas such as the Embarcadero/Alma overpass.

1

EL CAMINO REAL

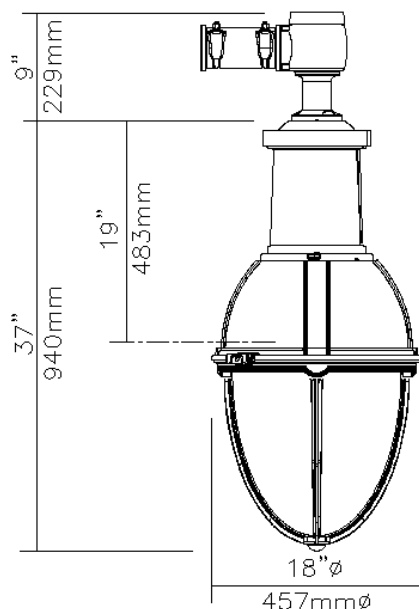


	Pole	Lamp	Color Pole/Head
	Part #	Part #	Color Code
El Camino Real	CP6563A-14Z-LAB	C6563D-Z3WRN64A2NNNNA	Custom RAL 7022
	RTA30D8B4-** With Tenon Mount	RN20-135W80LED4K-R-ACDR-LE3R-120/277-DMG-SMB-RCD-RAL 7022	Custom RAL 7022

Palo Alto – El Camino Real



LEDGINE



RCD for 5 PIN Twist
Lock



EPA: 2.63 sq ft / weight: 55 lb (25 kg)

Note: 3D image may not represent color or option selected.
Logos above include link, click to access.

Qty	3	Luminaire	RN20-135W80LED4K-T-ACDR-LE3R-UNIV-DMG-SMB-GRD- SCRAL7022TX
-----	---	-----------	---

Description of Components:

Hood: Injection die cast A360.1 aluminium dome, mechanically assembled on the luminaire housing.

Guard: (GRD), In a round shape with 4 arms, this guard is welded to the technical ring.

Housing: In a round shape, this housing is made of injection die cast A360.1 aluminium, complete with a weatherproof door giving a tool-free access to the ballast, without disconnection of wiring, mechanically assembled. This suspension system permits a full rotation of the luminaire in 90 degree increments.

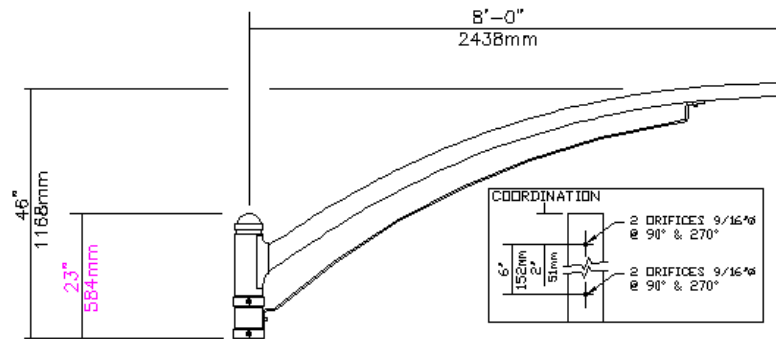
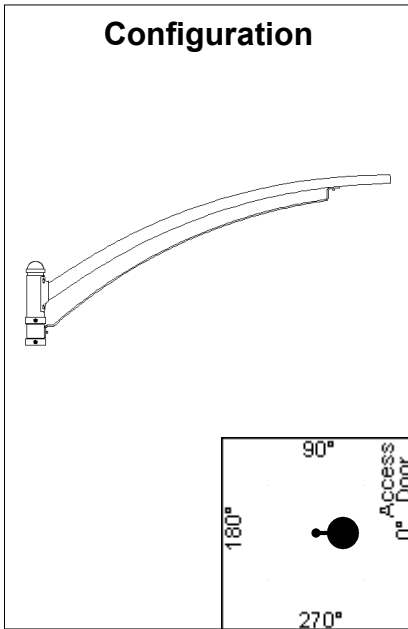
Access-Mechanism: Injection die cast A360.1 aluminium frame with latch and hinge, complete with cast-in security block for frame's open position. The mechanism shall offer tool-free access to the inside of the luminaire. An embedded memory-retentive gasket shall ensure weatherproofing.

Light Engine: LEDgine composed of 5 main components: **Globe / LED Module / Optical System / Heat Sink / Driver**
Electrical components are RoHS compliant.

Heat Sink: Made of cast aluminum optimising the LEDs efficiency and life. Product does not use any cooling device with moving parts (only passive cooling device).

Globe: (ACDR), Made of one-piece seamless injection-molded impact-resistant (DR) acrylic having an inner prismatic surface. Complete with a semi-prismatic house side shield and external glare softening prisms. The globe is mechanically assembled and sealed onto the lower part of the heat sink.

Palo Alto – El Camino Real



Qty **3** Bracket **AC8-1A-R5-CAP1-SCRAL7022TX**

Description of Components:

Arm: Shall be made from spun and tapered aluminum 6063-T4, tempered to T6 after welding. The tapered arm is formed into a vertically oriented ellipse of 4" (102mm) by 2 7/8" (73mm) welded onto a plate and mechanically assembled to central adaptor. The bracket end is of 2 3/8" (60mm) O.D.

Decorative Element: Flat made of bent aluminum, 2" (51mm) wide, 0.375" (10mm) thick, mechanically assembled.

Central Adaptor: Made of cast 356 aluminum, complete with a top decorative cap. Slip-fits 9" (229mm) over a 4" (102mm) outside diameter pole or tenon. Mechanically fastened to the pole or tenon.

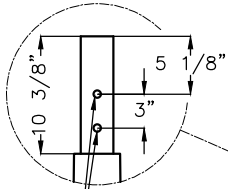
Bracket Options: (CAP1), Optional Pole Cap

Note: The AC8 bracket meets the AASHTO 2001 standard specifications for structural support for luminaires.

Bracket Properties (Weight and EPA): 32 lbs (14.5 kg), 3.87 ft²

PAIN T SPECIFICATION

ALL CAST IRON AND STEEL LIGHT POLE PARTS ARE TO BE FACTORY FINISH PAINTED "TO MATCH RAL #7022".

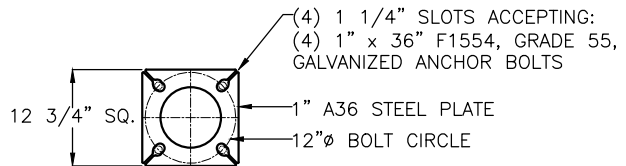


(4) SETS OF 5/8" Ø HOLES
@ 90° TO EACH OTHER

2 1/2" SCH. 40 STEEL PIPE
(2.88 O.D. X .203" WALL)

11 GA., 8" BASE DIA.
ROUND SMOOTH STEEL TAPERED POLE
0.14"/FT. TAPER

28'-0" POLE HEIGHT



BASE PLATE DETAIL
SCALE: 2X


APPLY SILICONE SEALANT
AT INSTALLATION

LC SPLIT CAST IRON BASE
WITH REMOVABLE ACCESS DOOR

46 1/2"

25" Ø

VI-LC-S/28'
QUANTITY: 3

PROJECT TITLE:	2600 CAMINO REAL PALO ALTO, CALIFORNIA	
DISTRIBUTOR:	AZCO	
CONTRACTOR:	WONG ELECTRIC	
REPRESENTATIVE:	ASSOCIATED LIGHTING REPRESENTATIVES	
	SPECIFIED BY:	
	SCALE: FULL	DATE: 7/25/18
	JOB NO.: 10716	CAD FILE: PALO-ALTO-1
29579 AWBREY LANE EUGENE, OREGON 97402 PHONE (541) 688-7741 FAX (541) 461-0951		

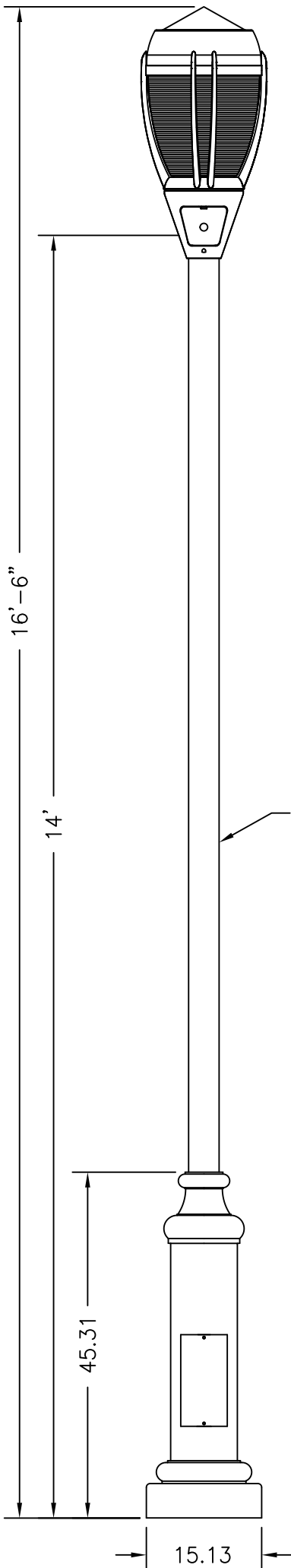
Ordering Guide

C6563D-Z3WRN64A2NNNNA: LUMINAIRE
 CP6563A-14Z: POLE ASSEMBLY
 Modifications: Custom RAL7022 color.

Color:
 Custom RAL7022

POLE ASSEMBLY:
 4" ROUND, SMOOTH ALUMINUM,
 0.188" WALL THICKNESS,
 CAST ALUMINUM BASE W/
 ACCESS DOOR

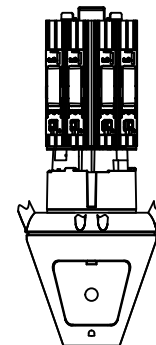
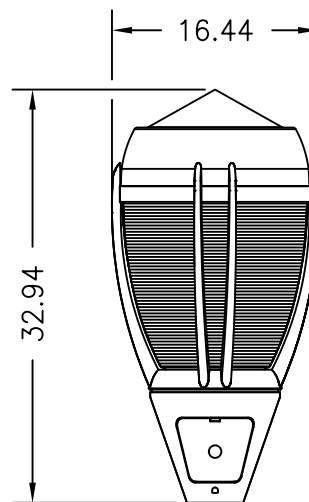
BASE TEMPLATE
 #T01700913



Luminaire Detail

Scale 1:16

Top View
 LED Module Assy.



FASTENERS:
 ALLEN HEAD SCREWS

COLOR:
 CUSTOM RAL7022

POD PHOTO CONTROL:
 3-PIN TWIST-LOCK RECEPTACLE

INTEGRAL CONTROL OPTIONS:
 NONE

Lumilock LED Specifications:

- 64, 4000K (neutral) LEDs, typical 75 Color Rendering Index (CRI), >100,000 hours of operational life (at 25°C ambient temperature & 70% lumen maintenance), injection molded Type III Wide optical plates, IP66 rated optical system.
- Integral Philips Advance Xitanium LED driver, class 1, IP66 rated, 200mA, 0-10V dimming, IntelliVolt 120-277 VAC, 50-60Hz, RoHS compliant, field replaceable 10kV/10kA surge suppression.
- Delivered lumens: 4111, Wattage: 39W.

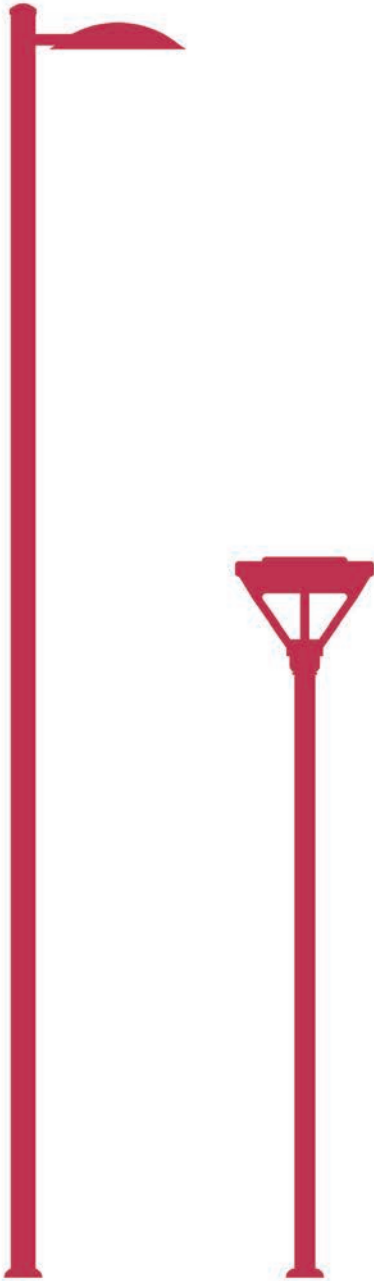
Lumilock Certifications:

- ETL/cETL listed to U.S. & Canadian safety standards for wet locations, manufactured to ISO 9001:2008 Standards, vibration tested to ANSI C136.31 for normal applications, UL8750 & UL1598 compliant, LM79 & LM80 tested, DLC listed.

PRODUCT APPROVALS	
HADCO	SDK
CUSTOMER	
<p><u>CONFIDENTIAL:</u> This drawing is confidential and proprietary to Hadco and may not be reproduced without the express written consent of Hadco. Any use hereof or of any of the information or detail herein shall be for the sole benefit of Hadco.</p> <p><u>NOTICE:</u> This drawing is for reference only. Check for latest revision prior to ordering.</p>	
100 Craftway Drive Littlestown, Pa 17340 Phone 800-937-5483 Fax 717-359-0618 www.signify.com	
JOB NAME:	
City of Palo Alto, CA	
DRAWN BY:	
H. Kuhn	
SCALE:	DATE:
1:20	7/30/18
DRAWING NUMBER:	
C6563-DWG07	
REP:	
ALR	
REV: A	PCN: 18-007
BY:	DATE:

2

CALIFORNIA-PARK



	Pole	Lamp	Color Pole/Head
	Part #	Part #	Color Code
California Ave	RSA12B4-4-**	PDR-MSR-B01-LED-E1-T3-VM5378PDGSD	Dark Platinum(DP)
	RSA25D6-4-**	CPLS-55W32LED4K-G2-LE3-F-UNV-DMG-RCD-PH8-DP	Dark Platinum(DP)

DESCRIPTION

The geometric form of MESA LED luminaire allows it to adapt to either contemporary or traditional architectural settings. Available in single or twin pole mount configurations with optional wall mounting capability, the MESA LED luminaire's mounting options allow for harmonized site design whether at the entryway or in the parking lot. UL/cUL listed for use in wet locations.

SPECIFICATION FEATURES**Construction**

HOUSING: Die-cast aluminum main housing and spider mount base maintain a minimum 0.125 wall thickness. Integral aluminum heat sink provides superior thermal heat transfer in +40°C ambient environments. **DOOR ASSEMBLY:** Top mounted, heavy wall, die-cast aluminum door maintains a nominal 0.125 thickness. Door includes a self-retaining interior hinge. **GASKET:** Continuous silicone gasket provided to seal housing door assembly and optic tray. **LENS:** Downlight lens is LED board integrated acrylic over-optics, each individually sealed for IP66 rating. **HARDWARE:** Four inset fasteners on underside of housing provide access to luminaire interior. Concealed, stainless steel four bar hinge lock allows door to lock in the open position.

Optics

Choice of twelve patented, high-efficiency AccuLED Optic™ technology manufactured from injection-molded acrylic. Optics are precisely designed to shape the light output, maximizing efficiency and application spacing. AccuLED Optic technology, creates consistent distributions with the

scalability to meet customized application requirements. Offered Standard in 4000K (+/- 275K) CCT and minimum 70 CRI. Optional 3000K CCT, 5000K CCT and 5700K CCT. For the ultimate level of spill light control, an optional house-side shield accessory can be field or factory installed. The house-side shield is designed to seamlessly integrate with the SL2, SL3 or SL4 optics. LightBAR optic tray is removable and able to rotate 360° in 90° increments for specific placement of the distribution relative to fixture.

Electrical

LED drivers mount to die-cast aluminum back housing for optimal heat sinking, operation efficacy, and prolonged life. Standard drivers feature electronic universal voltage (120-277V 50/60Hz), 347V 60Hz or 480V 60Hz operation, greater than 0.9 power factor, less than 20% harmonic distortion, and is suitable for operation in -40°C to 40°C ambient environments. All fixtures are shipped standard with 10kV/10kA common – and differential – mode surge protection. LightBARs feature and IP66 enclosure rating and maintain greater than 95% lumen maintenance at 60,000 hours per

IESNA TM-21. Occupancy sensor and dimming options available.

Mounting

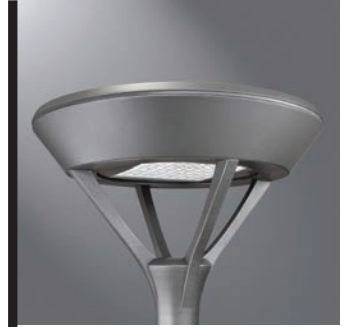
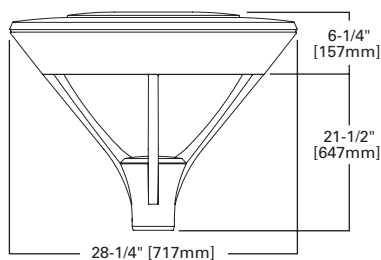
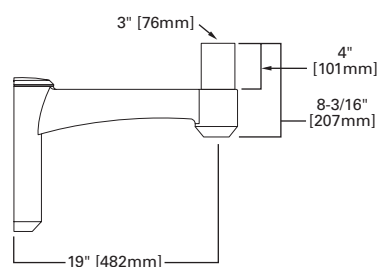
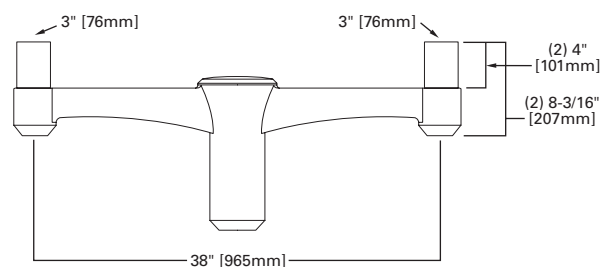
Fitter assembly mounts over 3" O.D. tenon and is secured via three concealed stainless steel set screws. Design of fitter provides seamless transition to 4" round poles. Additional mounting accessories include a dual fixture post top mounting arm and wall mount arm.

Finish

Housing is finished in five-stage super TGIC polyester powder coat paint, 2.5 mil nominal thickness for superior protection against fade and wear. LightBAR™ cover plates are standard white and may be specified to match finish of luminaire housing. Standard colors include black, bronze, grey, white, dark platinum and graphite metallic. RAL and custom color matches available. Consult Outdoor Architectural Colors brochure for a complete selection.

Warranty

Five-year warranty.

**MSA MESA LED****1-6 LightBARs****Solid State LED****DECORATIVE LUMINAIRE****DIMENSIONS****MOUNTING ACCESSORIES****WALL MOUNT ARM****DUAL MOUNT ARM (EPA 1.36)****CERTIFICATION DATA**

UL/cUL Listed
ISO 9001
IP66 LightBARs
LM79 / LM80 Compliant
2G Vibration Tested

ENERGY DATA

Electronic LED Driver
>0.9 Power Factor
<20% Total Harmonic Distortion
120-277V/50 & 60Hz, 347V/60Hz,
480V/60Hz
-40°C Minimum Temperature
40°C Ambient Temperature Rating

EPA

Effective Projected Area: (Sq. Ft.)
Single Mount 1.1

SHIPPING DATA

Approximate Net Weight:
50 lbs. (22.7 kgs.)



ARX ALUMINUM ROUND STRAIGHT

Catalog #		Type
Project		
Comments		Date
Prepared by		

FEATURES

- Straight round shaft 6063-T6 aluminum alloy polished
- Cast aluminum alloy base with aluminum bolt covers
- Anchor bolt per ASTM A576
- Three and four-bolt anchorage configurations
- 8'-20' mounting heights
- Drilled or tenon (specify)

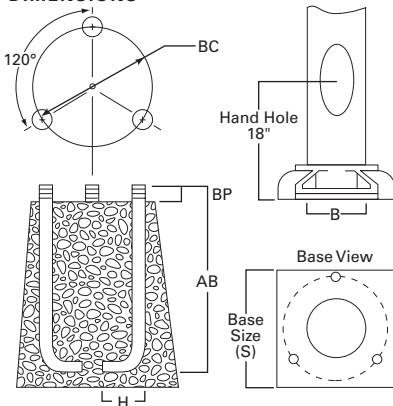
ORDERING INFORMATION

SAMPLE NUMBER: ARX4T08NGMA1V

Product Family	Shaft Size (Inches) ¹	Wall Thickness (Inches)	Mounting Height (Feet)	Base Type	Finish	Mounting Type	Number and Location of Arms	Options (Add as Suffix)
ARX=Aluminum Round Straight	4=4" 5=5"	T=0.125" M=0.188"	08=8' 10=10' 12=12' 15=15' 18=18' 20=20'	A=Aluminum (Round 4-Bolt Pole) ² N=Aluminum (Round 3-Bolt Pole)	AP=Grey BA=Anodized Bronze BK=Black BZ=Bronze CA=Anodized Clear DA=Anodized Black DP=Dark Platinum GM=Graphite Metallic GN=Hartford Green WH=White	2=2-3/8" O.D. Tenon (4" Long) 3=3-1/2" O.D. Tenon (5" Long) 4=4" O.D. Tenon (6" Long) - Slide/Flite/Epic 5=3" O.D. Tenon (4" Long) - Mesa 6=2-3/8" O.D. Tenon (6" Long) 7=4" O.D. Tenon (10" Long) - SDM1/SDM2 A=Icon and Ascent Small Drill Pattern C=Icon and Ascent Medium Drill Pattern E=Vision Site Small Drill Pattern F=Vision Site Structural Mount G=Vision Site Medium Structural Mount J=Icon Small Structural Drill Pattern K=Icon Medium Structural Drill Pattern M=Vision Site Medium Drill Pattern X=None	1=Single 2=2 at 180° 3=Triple ³ 4=4 at 90° 5=2 at 90° 6=3 at 90° 7=2 at 120° X=None	A=1/2" Tapped Hub (Specify location desired) B=3/4" Tapped Hub (Specify location desired) C=Convenience Outlet ⁴ E=GFCI Convenience Outlet ⁴ F=Vibration Pad G=Ground Lug H=Additional Hand Hole ⁵ V=Vibration Damper

NOTES: 1. All shaft sizes nominal. 2. Base cover not included (order as option). 3. Square poles are 3 at 90°, round poles are 3 at 120°. 4. Outlet is located 4' above base and on same side of pole as hand hole, unless specified otherwise. Receptacle not included, provision only. 5. Additional hand hole is located 12" below pole top and 90° from standard hand hole location, unless otherwise specified.

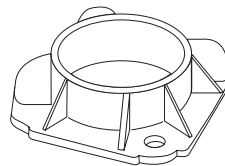
DIMENSIONS



STANDARD BASE

(Round aluminum poles only.)

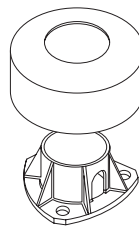
TYPE "A"
6", 7", 8" or 10"



STANDARD BASE

(Round aluminum poles only.)

TYPE "N"
(Standard with base cover.)
4", 5" or 6"

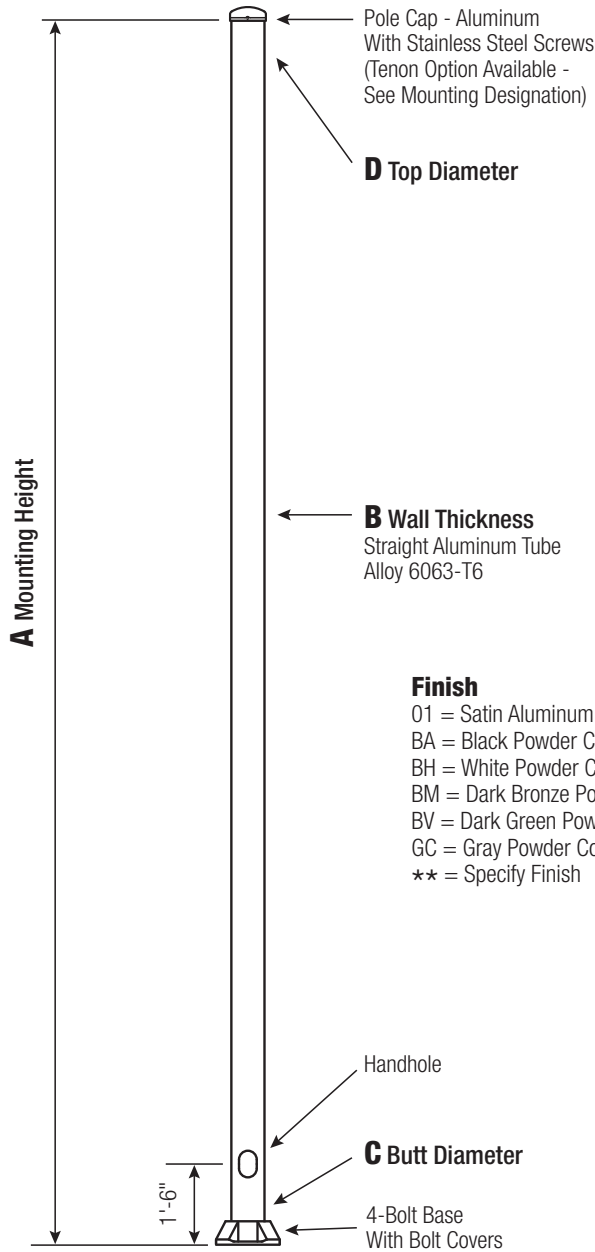


WARNING: Customer is responsible for engineering analysis to confirm pole and fixture compatibility for all applications. Refer to pole white paper WP513001EN for additional support information. Before installing, make sure proper anchor bolts and templates are obtained. The use of unauthorized accessories such as banners, signs, cameras or pennants for which the pole was not designed voids the pole warranty and may result in pole failure causing serious injury or property damage. Information regarding total loading capacity can be supplied upon request. The pole warranty is void unless poles are used and installed as a complete pole and luminaire combination. This warranty specifically excludes failure as the result of a third party act or omission, misuse, unanticipated uses, fatigue failure or similar phenomena resulting from induced vibration, harmonic oscillation or resonance associated with movement of air currents around the product.

Specifications and dimensions subject to change without notice. Consult your lighting representative at Eaton or visit www.eaton.com/lighting for available options, accessories and ordering information.

RSA

Round Straight Aluminum Pole No Arm — 4-Bolt Base



- Finish**
- 01 = Satin Aluminum
 - BA = Black Powder Coat
 - BH = White Powder Coat
 - BM = Dark Bronze Powder Coat
 - BV = Dark Green Powder Coat
 - GC = Gray Powder Coat
 - ** = Specify Finish

WARNING:
Do not install light pole without luminaire.

Satin Aluminum or Powder Coated Finish per Customer Specification.

A Mtg. Hgt.	B WALL THICKNESS	C BUTT DIAMETER	TOTAL LUM. WEIGHT	MAXIMUM EPA					OLD CAT. NUMBER	CATALOG NUMBER
				90	100	110	120	130		
12	0.125"	4	70	6.0	4.4	4.0	3.1	2.3	78S-004	RSA12B4-4-**

C BUTT DIA.	D TOP DIA.	F BOLT CIR. DIA.	G BASE SQ.	H BOLT PROJ.	I BOLT SIZE
4	4	6.5 - 8	7.5	2	.75 x 17 x 3

Dimensions in Inches

CUSTOMER NAME:	
PROJECT:	LOCATION:
NOTES:	QUANTITY:

RSA12B4-4

CATALOG NUMBER

FINISH

Pole

The pole shaft will be constructed of seamless extruded tube of 6063 Aluminum Alloy per the requirements of ASTM B221. The shaft assembly shall be full-length heat treated after base weld to produce a T6 temper.

Base Style

4-Bolt Cast Aluminum Base Flange of Alloy 356-T6 with Aluminum Bolt Covers (Alloy 356-F) and Stainless Steel Hex Head Attaching Screws.



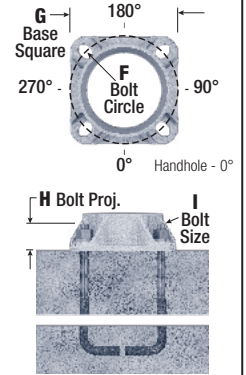
Handhole

2" x 4" Handhole with curved Lap Style Aluminum Door and two (2) SS Self-Tapping Attaching Screws. A Grounding Provision incorporating a tapped 1/4"-20NC hole is provided opposite the Handhole.

Anchorage

Anchorage Kit will include four (4) L-shaped Steel Anchor Bolts conforming to AASHTO M314-90 Grade 55. Ten inches (10") of threaded end will be galvanized per ASTM A153.

Kits will contain four (4) Hex Nuts, four (4) Lock Washers, and four (4) Flat Washers (all components Galvanized Steel). A bolt circle template will be provided.

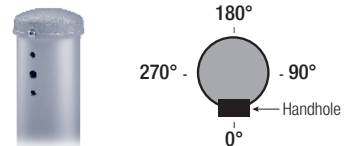


Vibration Damper

When determined necessary by Hapco, a Vibration Damper will be factory-installed inside the pole shaft. Customer specification of the damper is available.

Mounting Designation

Side Drill Mount - For Side Drill Mount applications specify luminaire type, quantity and orientation. A luminaire drilling template must be supplied at time of order.



Tenon Mount

For Tenon Mount applications specify both Tenon diameter (2.375", 2.875", 3.5", etc.) and length (3", 4", etc.).



EPA Notes: Effective Projected Area (EPA) in square feet. EPA's calculated using wind velocity (mph) indicated in accordance with 2009 AASHTO LTS-5 using a 25 year design life. Maximum EPA is based on the luminaire weight shown. Increased luminaire weight may reduce the maximum EPA. If weight is exceeded, or if other design life or code is required, please consult the factory.

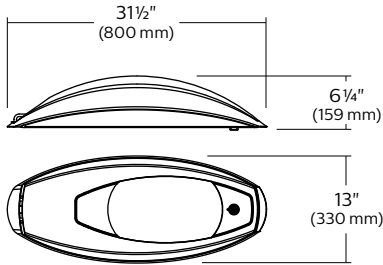


26252 Hillman Highway
Abingdon, VA 24210
800.368.7171
www.hapco.com

CPLS Capella LED (small)

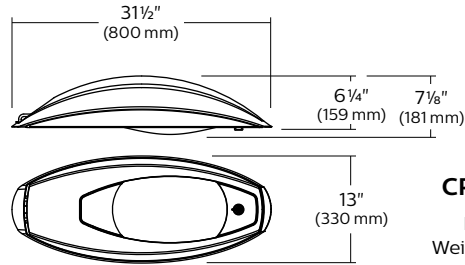
Roadway

Dimensions



CPLS (flat lens)

EPA: 0.47 sq. ft.
Weight: 30 lbs (13.6 kg)



CPLS (sag lens)

EPA: 0.47 sq. ft.
Weight: 30 lbs (13.6 kg)

LED Wattage and Lumen Values: for CPLS with Flat lens and Sag lens

Ordering Code: Flat lens (3000K)	Total LEDs	LED current (mA)	Average System Wattage ¹ (W)	LE2F			LE3F			LE4F			LE5F		
				Lumen Output ²	Efficacy (LPW)	BUG Rating	Lumen Output ²	Efficacy (LPW)	BUG Rating	Lumen Output ²	Efficacy (LPW)	BUG Rating	Lumen Output ²	Efficacy (LPW)	BUG Rating
35W32LED3K-G2	32	350	37	3676	99	B1-U0-G1	3594	97	B1-U0-G1	3596	97	B1-U0-G1	3624	98	B3-U0-G1
55W32LED3K-G2	32	530	54	5273	98	B1-U0-G1	5155	96	B1-U0-G1	5157	96	B1-U0-G1	5198	96	B3-U0-G1
72W32LED3K-G2	32	700	73	6651	91	B2-U0-G1	6502	89	B1-U0-G1	6504	89	B1-U0-G2	6556	90	B3-U0-G2
55W48LED3K-G2	48	350	55	5514	100	B1-U0-G1	5391	98	B1-U0-G1	5393	98	B1-U0-G2	5436	99	B3-U0-G1
80W48LED3K-G2	48	530	81	7910	98	B2-U0-G1	7733	96	B2-U0-G2	7736	96	B1-U0-G2	7798	97	B3-U0-G2

Ordering Code: Flat lens (4000K)	Total LEDs	LED current (mA)	Average System Wattage ¹ (W)	LE2F			LE3F			LE4F			LE5F		
				Lumen Output ²	Efficacy (LPW)	BUG Rating	Lumen Output ²	Efficacy (LPW)	BUG Rating	Lumen Output ²	Efficacy (LPW)	BUG Rating	Lumen Output ²	Efficacy (LPW)	BUG Rating
35W32LED4K-G2	32	350	37	4131	112	B1-U0-G1	4038	109	B1-U0-G1	4040	109	B1-U0-G1	4072	110	B3-U0-G1
55W32LED4K-G2	32	530	54	5925	110	B1-U0-G1	5793	107	B1-U0-G1	5795	107	B1-U0-G2	5841	108	B3-U0-G1
72W32LED4K-G2	32	700	73	7472	102	B2-U0-G1	7306	100	B1-U0-G2	7308	100	B1-U0-G2	7367	110	B3-U0-G2
55W48LED4K-G2	48	350	55	6196	113	B1-U0-G1	6058	110	B1-U0-G1	6060	110	B1-U0-G2	6108	111	B3-U0-G1
80W48LED4K-G2	48	530	81	8887	110	B2-U0-G2	8689	108	B2-U0-G2	8692	108	B2-U0-G2	8761	109	B3-U0-G2

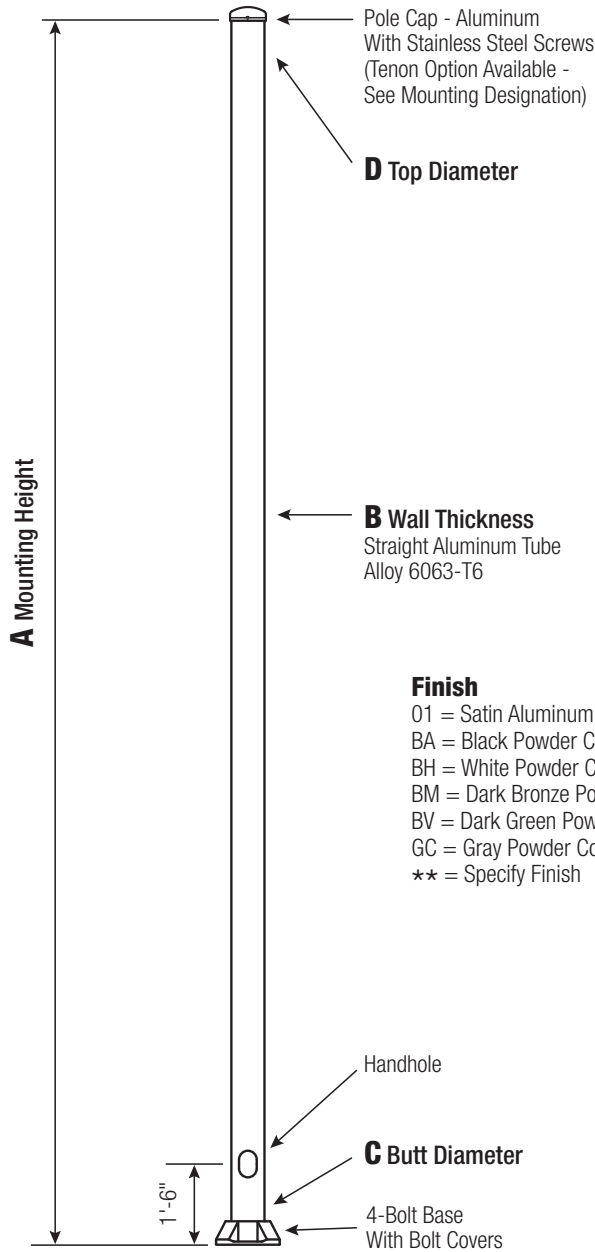
Ordering Code: Sag lens (3000K)	Total LEDs	LED current (mA)	Average System Wattage ¹ (W)	LE2S			LE3S			LE4S			LE5S		
				Lumen Output ²	Efficacy (LPW)	BUG Rating	Lumen Output ²	Efficacy (LPW)	BUG Rating	Lumen Output ²	Efficacy (LPW)	BUG Rating	Lumen Output ²	Efficacy (LPW)	BUG Rating
35W32LED3K-G2	32	350	37	3756	102	B1-U0-G1	3705	100	B1-U0-G1	3639	98	B1-U0-G1	3769	102	B3-U0-G1
55W32LED3K-G2	32	530	54	5387	100	B1-U0-G1	5314	98	B1-U0-G1	5219	97	B1-U0-G2	5406	100	B3-U0-G1
72W32LED3K-G2	32	700	73	6794	93	B2-U0-G1	6702	92	B1-U0-G2	6582	90	B1-U0-G2	6817	93	B3-U0-G2
55W48LED3K-G2	48	350	55	5634	102	B1-U0-G1	5558	110	B1-U0-G1	5458	99	B1-U0-G2	5653	103	B3-U0-G1
80W48LED3K-G2	48	530	81	8081	100	B2-U0-G2	7972	99	B2-U0-G2	7829	97	B1-U0-G2	8108	101	B3-U0-G2

Ordering Code: Sag lens (4000K)	Total LEDs	LED current (mA)	Average System Wattage ¹ (W)	LE2S			LE3S			LE4S			LE5S		
				Lumen Output ²	Efficacy (LPW)	BUG Rating	Lumen Output ²	Efficacy (LPW)	BUG Rating	Lumen Output ²	Efficacy (LPW)	BUG Rating	Lumen Output ²	Efficacy (LPW)	BUG Rating
35W32LED4K-G2	32	350	37	4220	114	B1-U0-G1	4163	113	B1-U0-G1	4088	111	B1-U0-G1	4234	114	B3-U0-G1
55W32LED4K-G2	32	530	54	6053	112	B1-U0-G1	5971	111	B1-U0-G1	5864	109	B1-U0-G2	6074	113	B3-U0-G2
72W32LED4K-G2	32	700	73	7634	105	B2-U0-G1	7531	103	B1-U0-G2	7396	101	B1-U0-G2	7660	105	B3-U0-G2
55W48LED4K-G2	48	350	55	6330	115	B1-U0-G1	6244	113	B1-U0-G2	6133	111	B1-U0-G2	6352	115	B3-U0-G2
80W48LED4K-G2	48	530	81	9079	113	B2-U0-G2	8957	111	B2-U0-G2	8797	109	B2-U0-G2	9111	113	B4-U0-G2

Actual performance may vary due to installation variables including optics, mounting/ceiling height, dirt depreciation, light loss factor, etc.; highly recommended to confirm performance with a layout - contact Applications at signify.com/outdoorluminaires.
Note: Some data may be scaled based on tests on similar but not identical luminaires.

RSA

Round Straight Aluminum Pole No Arm — 4-Bolt Base



- Finish**
- O1 = Satin Aluminum
 - BA = Black Powder Coat
 - BH = White Powder Coat
 - BM = Dark Bronze Powder Coat
 - BV = Dark Green Powder Coat
 - GC = Gray Powder Coat
 - ** = Specify Finish

WARNING:
Do not install light pole without luminaire.

Satin Aluminum or Powder Coated Finish per Customer Specification.

A Mtg. Hgt.	B Wall Thickness	C Butt Diameter	TOTAL LUM. WEIGHT	MAXIMUM EPA					O.L.D. CAT. NUMBER	CATALOG NUMBER
				90	100	110	120	130		
25	0.188"	6	100	10.0	7.6	7.1	5.7	4.6	55-063	RSA25D6-4-**

C BUTT DIA.	D TOP DIA.	F BOLT CIR. DIA.	G BASE SQ.	H BOLT PROJ.	I BOLT SIZE
6	6	9 - 10	9.75	2.75	.75 x 30 x 3

Dimensions in Inches

CUSTOMER NAME:	
PROJECT:	LOCATION:
NOTES:	QUANTITY:

RSA25D6-4

CATALOG NUMBER

FINISH

Pole

The pole shaft will be constructed of seamless extruded tube of 6063 Aluminum Alloy per the requirements of ASTM B221. The shaft assembly shall be full-length heat treated after base weld to produce a T6 temper.

Base Style

4-Bolt Cast Aluminum Base Flange of Alloy 356-T6 with Aluminum Bolt Covers (Alloy 356-F) and Stainless Steel Hex Head Attaching Screws.



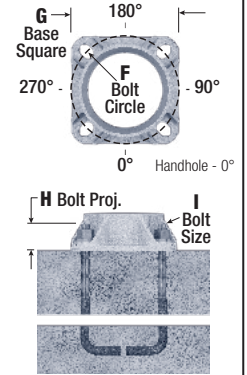
Handhole

Reinforced, 3" x 5" curved Cast Aluminum Frame (Alloy 356-T6) with Aluminum Door and two (2) SS Hex Head Screws. A Grounding Provision incorporating a 3/8" diameter hole is provided opposite the Handhole.

Anchorage

Anchorage Kit will include four (4) L-shaped Steel Anchor Bolts conforming to AASHTO M314-90 Grade 55. Ten inches (10") of threaded end will be galvanized per ASTM A153.

Kits will contain four (4) Hex Nuts, four (4) Lock Washers, and four (4) Flat Washers (all components Galvanized Steel). A bolt circle template will be provided.

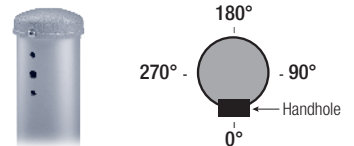


Vibration Damper

When determined necessary by Hapco, a Vibration Damper will be factory-installed inside the pole shaft. Customer specification of the damper is available.

Mounting Designation

Side Drill Mount - For Side Drill Mount applications specify luminaire type, quantity and orientation. A luminaire drilling template must be supplied at time of order.



Tenon Mount

For Tenon Mount applications specify both Tenon diameter (2.375", 2.875", 3.5", etc.) and length (3", 4", etc.).



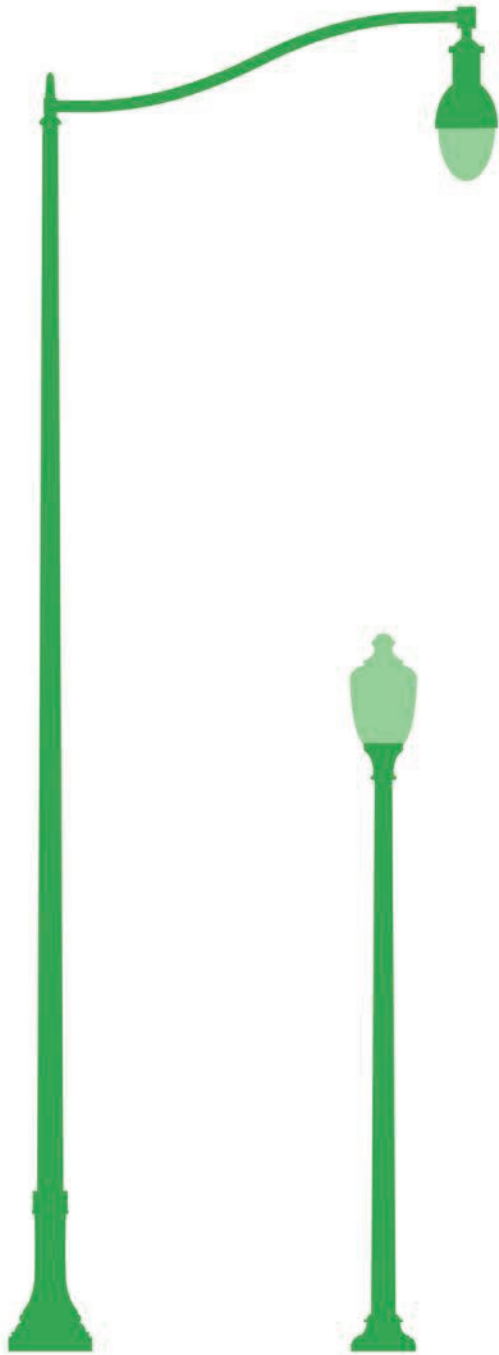
EPA Notes: Effective Projected Area (EPA) in square feet. EPA's calculated using wind velocity (mph) indicated in accordance with 2009 AASHTO LTS-5 using a 25 year design life. Maximum EPA is based on the luminaire weight shown. Increased luminaire weight may reduce the maximum EPA. If weight is exceeded, or if other design life or code is required, please consult the factory.



26252 Hillman Highway
Abingdon, VA 24210
800.368.7171
www.hapco.com

3

DOWNTOWN

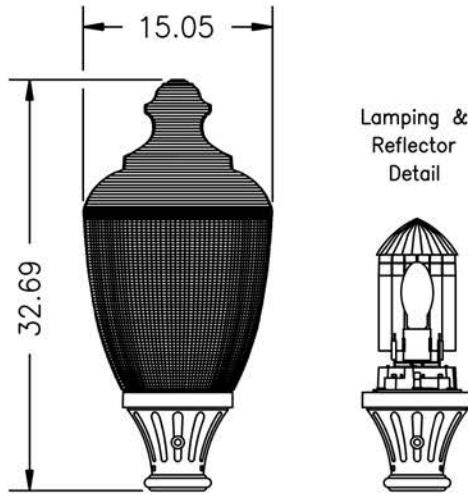


	Pole	Lamp	Color Pole/Head
	Part #	Part #	Color Code
Downtown	P1122-48-861-Y2	S5381I-ZB5FBG100SG	Munsell 5.5 GY 2.76/2.1
	B70028-B6-Y3	RNS20-55W32LED4K-T-ACDR-LE3-UNIV-DMG-SMB-RCD-(MUNSELL GREEN 5.5 -GY-2.76/2.1)	Munsell 5.5 GY 2.76/2.1

Ordering Guide:

- ~~S5381I-ZB5FBG70SG: LUMINAIRE, 70W HPS~~
- ~~S5381I-ZB5FBG100SG: LUMINAIRE, 100W HPS~~
- ~~S5381I-ZB5FBG150SG: LUMINAIRE, 150W HPS~~
- SP5381A-10Z-TD: POLE

Luminaire Detail
Scale 1:16



GLOBE:
X TYPE V, ACRYLIC

FASTENERS:
X HEX HEAD BOLTS
_ ALLEN HEAD SCREWS

COLOR:
_ BLACK
_ WHITE
_ VERDE
_ BRONZE
_ GREEN
X CUSTOM

REFLECTORS:
_ SMALL TOP REFLECTOR
X SMALL TOP REFLECTOR W/ HSS
_ FULL TOP REFLECTOR W/ HSS
_ HSS
_ LOUVERED REFLECTOR
_ FULL TOP REFLECTOR
_ NONE

PHOTO CONTROL:
X BUTTON-EYE
_ TWIST-LOCK RECEPT.
_ NONE

SOCKET:
_ MEDIUM
X MOGUL
_ INDUCTION

WATTAGE: (specify)
_ 70W MH
_ 100W MH
_ 150W MH
_ 250W MH
_ 50W HPS
_ 70W HPS
_ 100W HPS
_ 150W HPS
_ 200W HPS
_ 250W HPS
_ 55W INDUCTION
_ 85W INDUCTION
_ 165W INDUCTION

VOLTAGE:
_ 120V
_ 208V
X 240V
_ 277V
_ 347V

PRODUCT APPROVALS

HADCO	GH
CUST.	

CONFIDENTIAL:
This drawing is confidential and proprietary to Philips Hadco and may not be reproduced without the express written consent of Philips Hadco. Any use hereof or of any of the information or detail herein shall be for the sole benefit of Philips Hadco.

NOTICE:
THIS DRAWING IS FOR REFERENCE ONLY. CHECK FOR LATEST REVISION PRIOR TO ORDERING

Full
Specification
Drawing
(Complete Assembly)



100 Craftway Drive
Littlestown, Pa 17340
Phone 800-331-4185
Fax 717-359-9289
www.hadco.com

JOB NAME:
City of Palo Alto

REP. TERRITORY: 03	DRAWN BY: CMG
-----------------------	------------------

SCALE: 1:20	DATE: 06/18/14
----------------	-------------------

DRAWING NUMBER:
S5381-DWG04

REP:
ALR

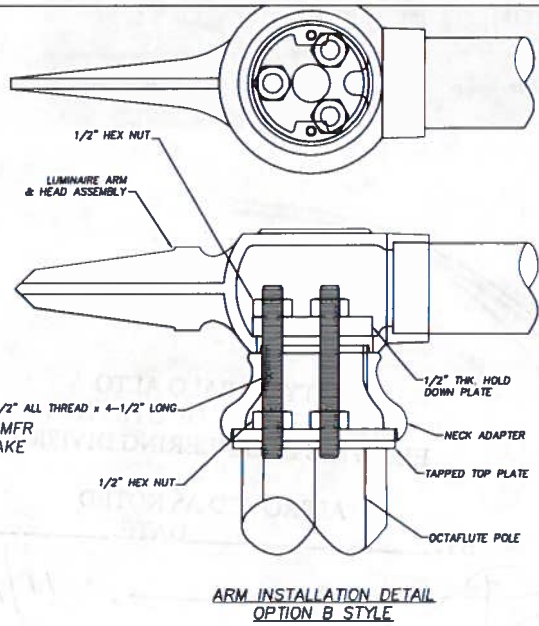
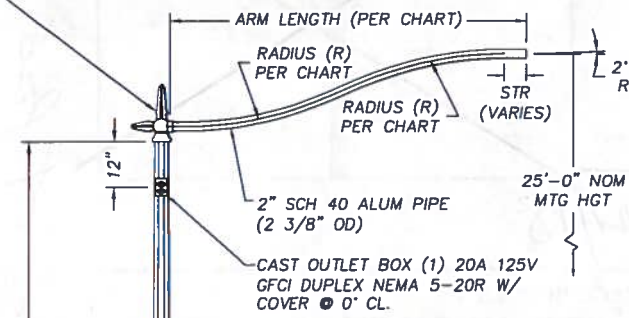
REV: B	PCN: 14-064
BY: SMK	DATE: 12/10/14

DESIGN No.	MONOTUBE SIZE	ARM LENGTH	R	ARM STYLE
B7002B-B6-Y1	7.0x3.78x23'-0"	8'-0"	96"	SINGLE
B7002B-B6-Y3	7.0x3.78x23'-0"	4'-0"	30"	SINGLE

NOTES:

- 1) POWDER COATED "PALO ALTO GREEN".
- 2) HEAT TREAT TO - T6 TEMPER AFTER WELDING.
- 3) DESIGNED IN CONFORMANCE WITH THE 2001 AASHTO STANDARD SPECIFICATIONS FOR STRUCTURAL SUPPORTS FOR HIGHWAY SIGNS, LUMINAIRES, AND TRAFFIC SIGNALS, 6TH EDITION WITH 2015 INTERIM REVISIONS, AND 100 MPH 3-SECOND GUST WIND SPEED.

CAST ALUM. HEAD ASSY WITH REMOVABLE FINIAL BOLTED TO 1/2"x 4 1/4" DIA TOP PLATE W/ (3) 1/2" SST STUDS W/ (2) SST HEX NUTS EACH. SEE DETAIL

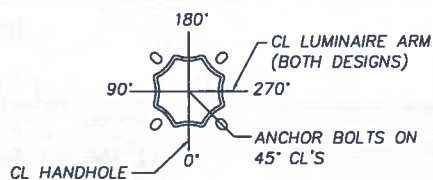
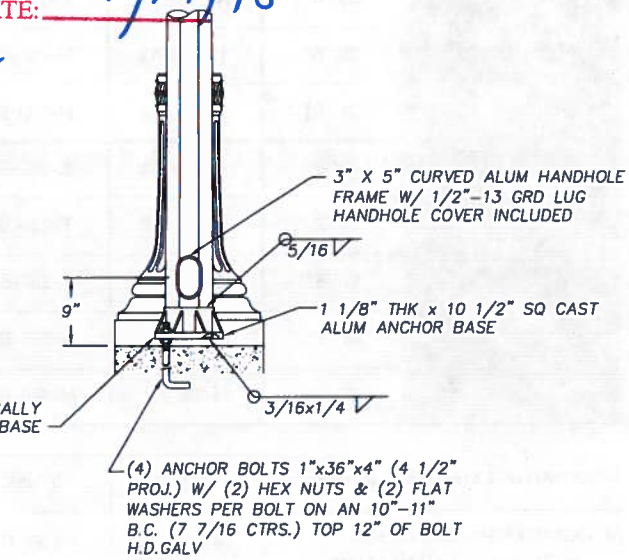
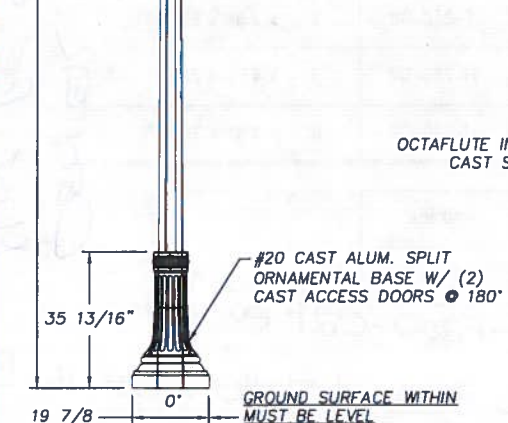


AZCO

CITY OF PALO ALTO
DEPARTMENT OF UTILITIES
ELECTRIC ENGINEERING DIVISION

APPROVED AS NOTED
BY: _____ DATE: 11/14/18

.188 WALL ALUMINUM 8 FLUTE
(0.14 in/ft TAPER)
.188W-7.0x3.78x23'-0"



FOR ENGINEERING REFERENCE ONLY
(200-J1-3)
(200-E1-3.5)
(S200 FX3)
(S200 FZ3)
REF NDA 2546

NO.	DESCRIPTION	DATE	BY	APP.	REVISIONS
R05	ADDED NOTES AND DESIGN CRITERIA DELETE TWIN B' DESIGN -Y2	9/13/17	MB	MM	
R04	ADDED ARM INSTALLATION DETAIL	4/6/09	LOF	YES	
R01	ADDED OCTAFLUTE SHOE BASE NOTE	3/7/00	MB	MM	

ORNAMENTAL LIGHTING STANDARD
CITY OF PALO ALTO, CALIFORNIA

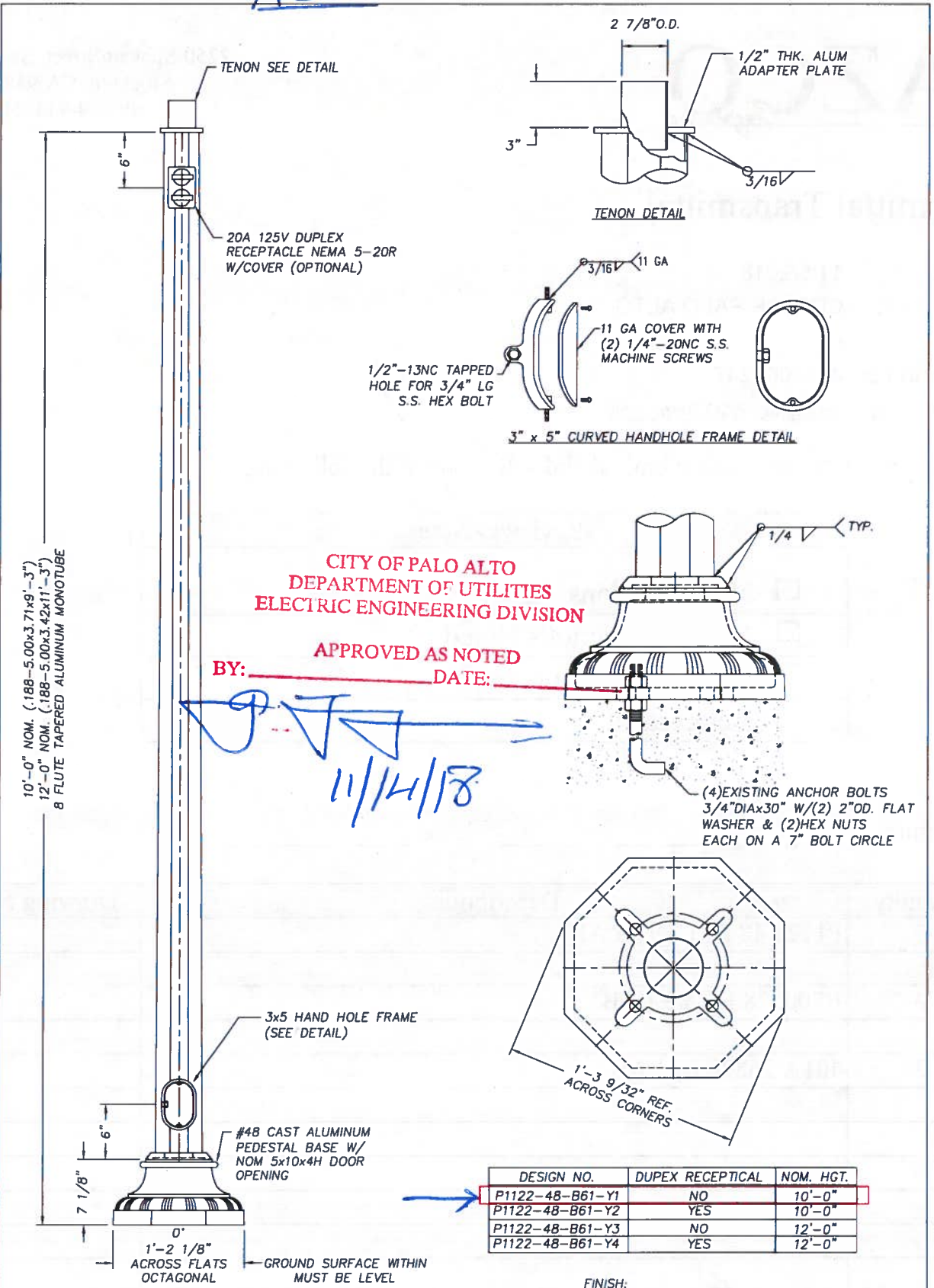
REQ. # 0354-39-99 S.O. # _____ CAD# 0354A99

Union Metal CORPORATION R05

DRAWN EJJ DATE 5/27/99 CHECKED JTT

DRAWING NO. N7002B-B6

AZCO



FINISH: PER SALES ORDER.

ORNAMENTAL LIGHTING STANDARD DESIGNED ESPECIALLY FOR PALO ALTO, CALIFORNIA	
LOF	ENG. REF. #N1122-48-B2B
REQ. # NCA-46653-1	S.O. # _____ CAD# _____
DRAWN KMS	DRAWING NO. N1122-48-B61
DATE 11/16/12	
CHECKED RAP	

REVISIONS