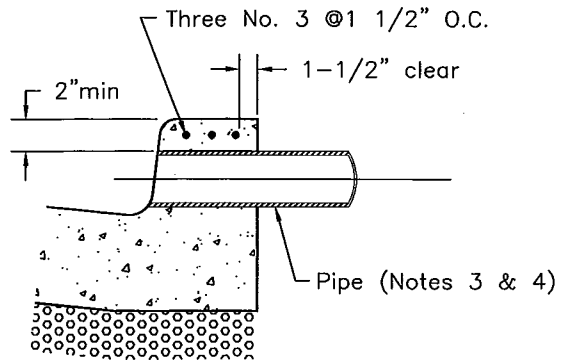
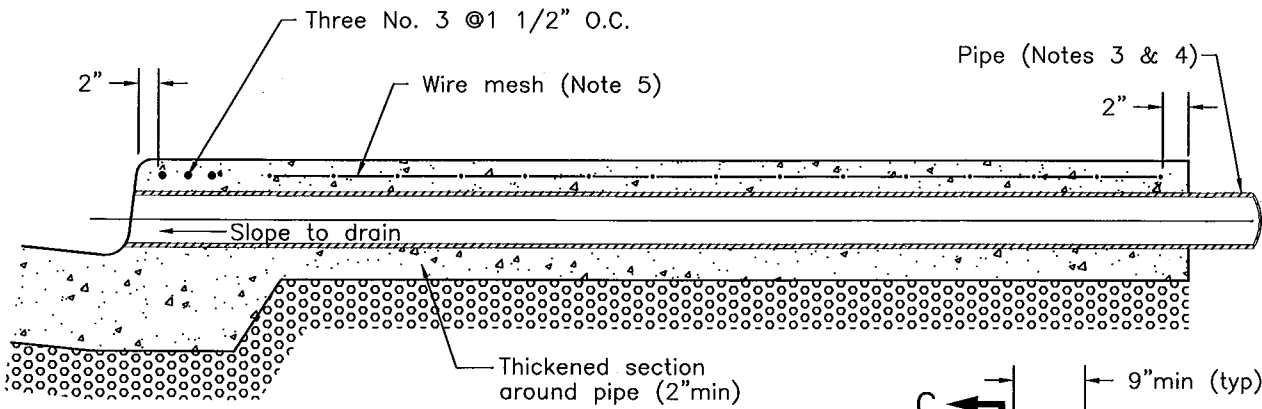


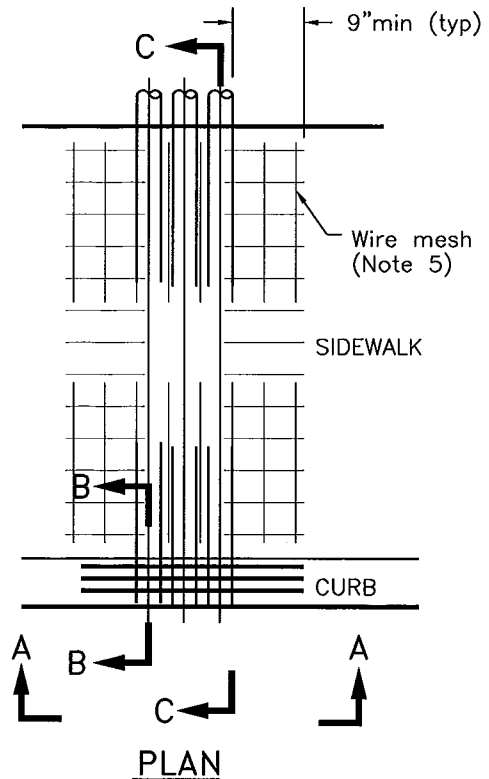
ELEVATION A - A



SECTION B - B  
Curb only



SECTION C - C  
Curb and sidewalk



PLAN

NOTES

1. 1/2" min between pipe flowline and gutter flowline.
2. Maximum of three pipes.
3. 3" dia max pipe size. A rectangular duct with 3" max height may be used in lieu of pipe or a rectangular duct of less than 3" may be used to meet capacity requirements when curb height is under 6".
4. Thin wall cast iron or ductile iron pipe only.
5. 6"x 6"x 10 ga. wire mesh in sidewalk area only. Extend 9" on each side of pipe.
6. Similar detail for Type B (Rolled) curb. Cut the drain pipe flush with the contour of the rolled curb.

Rev	By	Date
0	DWH	12/14/92
Scale: NTS		

Curb Outlet  
for  
Gravity Flow

City of Palo Alto Standard

Approved by:  
*[Signature]*  
PE No. 35411  
Date 5/14/07  
Dwg No. 321